



Committing to Meticulous Demolition, Safeguarding High-Risk Operations
— As China's Expert in **Intelligent Demolition!**

Demolition Robots Products Manual

Anhui Hitech Intelligent Equipment Co., Ltd.



CATALOGUE

Company Introduction	4
Functional Features	6
Application Scenarios	8
Structure Diagram	24
HCR Series Demolition Robots	26
Comparison Chart	48
Multiple Attachments Options Available	50
After-Sale Service	60

▶ We are the forgers of demolition technology—redefining the global landscape with Chinese standards. We are the guardians of life's dignity—putting an end to the toll of blood and tears with reliable equipment. We uphold human life as the highest value. Protecting the dignity of every operator is woven into every stage of our process: from R&D and product design to production, delivery, and service. Breaking through high-risk barriers, upholding the dignity of life. Breaking through technological monopolies, establishing China's coordinates.

More about Hitech ▶

ABOUT



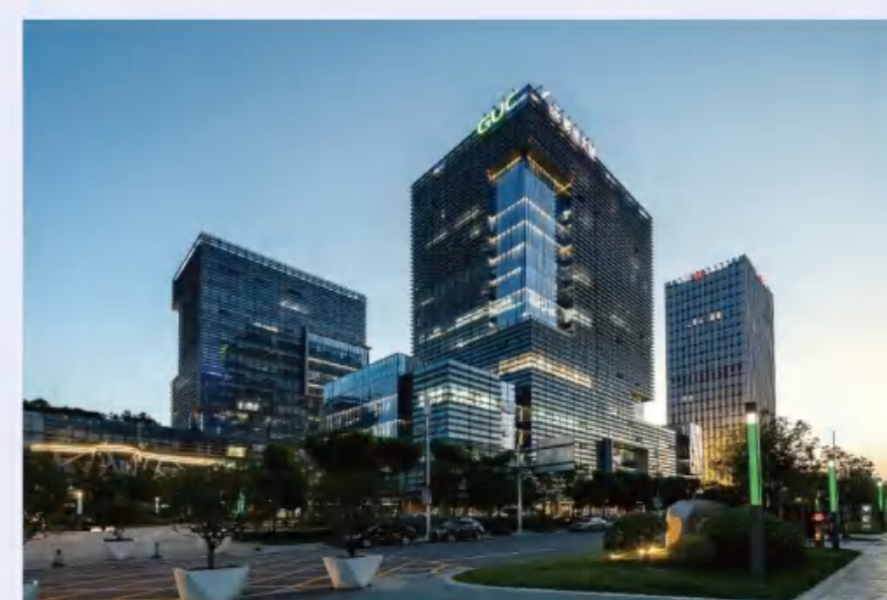
Anhui Hitech Intelligent Equipment Co., Ltd. is a national high-tech enterprise specializing in the R&D, production, and sales of engineering robots and their key components. It is a large-scale industrial enterprise in Chuzhou City, a high growth small and medium-sized enterprise in Anhui Province, a provincial-level "specialized, refined, special, and new" enterprise, and an AAA level enterprise that "abides by contracts and values credit" in Anhui Province. It is listed on the "Talent Enterprise Special Board" of Anhui Province (Stock Code: 670013). There is a "Anhui Industrial Design Center" and a "Anhui Key Laboratory of Special Heavy Duty Robots" R&D platform in the company. We have a high-level talent team led by a group of renowned scholars such as professors and researchers, with a focus on customer interests, committed to helping customers become winners in their industries. It has established a R&D center in Jiangbei New District, Nanjing, a manufacturing and assembly base in Chuzhou Higher Education Science and Technology Innovation City, and invested in the establishment of a robot application service company in Qiantang New District, Hangzhou, forming a "research, production, and use" Pattern.

The company is committed to the research and industrialization of special robots in high-risk environments and special working conditions. It has formed a series of products and overall solutions in two directions: intelligent demolition and fire emergency. The products mainly include demolition robots, rockbreaker boom system, soil drilling rig, firefighting robots, mulcher robots, and drainage robots. The products are widely used in industrial fields such as metal processing, mining, cement, construction, environmental protection, tunnels, as well as special fields such as fire protection, nuclear industry, emergency rescue, and military. At present, our main clients include well-known domestic and foreign enterprises such as Thyssenkrupp, SINOMA, CGN, and Zijin Mining. And we have exported to multiple countries, forming a good application demonstration and cooperation situation. The company is valued at over 100 million CNY and has received angel round investments from Anhui Provincial High tech Investment, Chuzhou City Urban Investment, and venture capital funds. The equity structure is reasonable and the management is standardized.

Operational Pattern



Product trial factory in Chuzhou



R&D and sales center in Nanjing



Construction service center in Hangzhou

固本持恒
创新致远



Corporate Mission — Break and Build, Pioneering Intelligent Demolition Equipment and Solutions.

Corporate Vision — To Become China's Benchmark and Civilizational Standard in the New Era of Intelligent Demolition Safety.

Business Philosophy — Break Barriers, Set Standards, Craft with Precision, Ensure Safety.

Corporate Spirit — Life First, Ultimate Reliability, Daring Innovation, Ecological Prosperity.

The HCR Philosophy: Enduring Foundation, Driving Innovation

"Endurance" (恒) — Our eternal commitment to reverence for life and relentless pursuit of uncompromising reliability.

"Innovation" (创) — Our driving force to break international monopolies through technological revolution and to take on the responsibility of reshaping industry standards with a human-centric measure.

Qualifications Honors



HCR Series Demolition Robots

The HCR series demolition robots are high-power operation equipments with remote control and refined operation capabilities. It is equipped with a flexible hydraulic wrist and multifunctional attachments, and can perform comprehensive remote control of crushing, shearing, dismantling and other operations in hazardous and harsh environments such as toxic (pollution), flammable, explosive, prone to collapse, and strong radiation. It greatly improves working conditions and reduces casualties. The whole machine has the characteristics of high power, multiple degrees of freedom, multidisciplinary integration, and high intelligence. Efficient and safe, a new type of demolition tool.

Good Energy-saving Performance

- Two power sources are available for customers to choose from: electric driven and diesel driven.
- Hydraulic-driven operation ensures quiet demolition and minimal impact on the surrounding environment.
- The green design concept incorporates advanced hydraulic control technology, resulting in a highly efficient system with minimal heat generation.

High Efficiency

- The robot is small but powerful, with a robust power output from its tool head. Its demolition capability exceeds three times that of construction machinery of the same weight.
- The three-arm is designed with a humanoid hand, providing a wide operating range and flexible movements.
- The core components are equipped with top imported brands, ensuring excellent quality.

Intelligence

- The flexible intelligent control of the working arm can achieve precise fixed-point breaking, grasping and handling and other fine operations.
- Remote control combined with video monitoring, the wireless control distance of the device can reach 2km.
- The integration of robot technology can realize the expansion of environment perception, path planning and other functions.

High Adaptability

- Compact in size, with a tight structure and agile maneuverability, it is suitable for operations in small and confined spaces.
- Suitable for construction operations in harsh environments such as high temperatures, high dust, and strong magnetic fields.
- It is a versatile machine that can be equipped with various tool heads such as hydraulic hammers and hydraulic shears.

Safe and Reliability

- Human machine separation, equipment can replace people to enter dangerous areas for operations, reducing personnel injuries.
- Low center of gravity design, front and rear hydraulic support legs, stable and reliable operation.
- High protection for core components, professionally customized to meet different application fields.

Widely Used In:

- Mining scaling and breaking large blocks
- Cement rotary kiln clinker breaking, brick dismantling, and casting material breaking
- Metallurgical cleaning, slag removal, lining, unpacking, and planing of electrolytic cells
- Excavation of tunnels and excavation of connecting passages
- Commercial building and industrial construction demolition and renovation
- Fire emergency, emergency rescue, and disposal of radioactive waste

Application Industries



MINING



TUNNELING



CEMENT



CONSTRUCTION



METAL PROCESSING



SECURITY AND RESCUE

Application In The Mining Industry

- Mining Application
 - Scaling
 - Dig a ditch
 - Ore recovery
 - Tunnel supporting
 - Fixed crushing station
 - Breaking large blocks
 - Cut anchor cables
 - Drilling anchor holes and blasting holes
 - Repairing deformed tunnels



● Application advantages:

The human-machine separation remote control operation allows workers to choose a safe and well visible position to operate the machine, avoiding the harm of falling rocks to personnel. There are four legs on the demolition robots: the center of gravity is low during operation, and the body is stable regardless of the direction of the boom. There are specialized protective devices on the arms to avoid damage from falling rocks to the arms, hydraulic oil pipes, and joints. The power output of the motor-driven equipment is stable and continuous, with no emission pollution, low noise, and reduced production costs.



● Application of Mining:

There are various uses for demolition robots in underground mines, especially in metal mines with narrow tunnels. They can be used for breaking large blocks, scaling, tunnel supporting, secondary crushing, drilling anchor holes and blasting holes, shearing anchor cables, digging water ditches, repairing inclined slopes, and repairing deformed tunnels. In addition, they can also be used as fixed crushing stations next to the chute grid screen, as well as for ore recovery and mining of narrow veins.



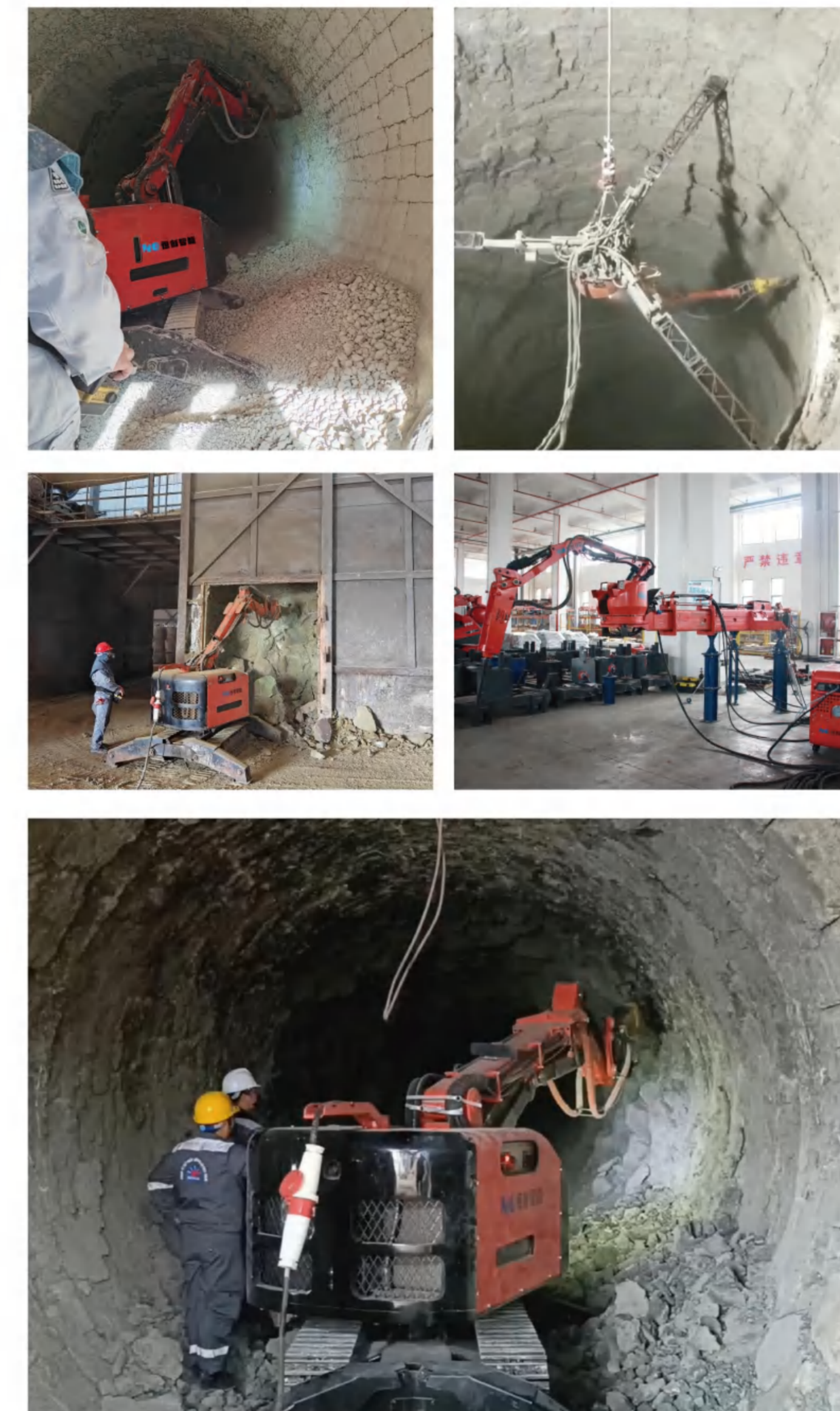
Application In The Cement Industry

- Cement Application
 - Kiln maintenance
 - Refractory demolition
 - Clean the grate cooler
 - Preheat tower and clinker storage
 - Dismantle the kiln head casting material



• Application of Cement:

Demolition robots can complete tasks such as cleaning, repairing, and inspecting cement kilns in high temperature and high dust environments. They can replace manual and small excavation maintenance of rotary kilns, greatly reducing downtime. With a three-section arm structure, there are no dead corners in operation, allowing for upward, lateral, or downward drilling, making it easy to remove casting materials and silica bricks. This brings new directions to the maintenance process of rotary kilns. In addition, demolition robots can also be used to clean clinker storage, grate coolers, and preheat towers. In addition to cement kilns, they are widely used in pellet kilns, lime kilns and other rotary kilns. The human-machine separation remote control operation ensures construction safety, improves efficiency, and reduces costs.



• Application Advantages:

The remote-controlled demolition robot is resistant to high temperature dust and can be operated remotely to ensure safety. Three-arm structure: simulates human hands, with no dead corners for operation, allowing for upward, lateral, and downward drilling, making it easy to remove casting materials and silica bricks. In a rotary kiln with a diameter of 4.8 meters, 7-10 meters of kiln skin and about 10 meters of bricks are removed per hour, which is fast and does not damage the cylinder.



Application In The Metal Processing Industry

- Metal Processing Application
- Foundry industry
- Ferroalloy industry
- Metal processing industry
- Electrolytic aluminum industry
- Copper lead zinc smelting industry



• Application of Metal Processing:

Due to its maneuverability, resistance to high temperature and dust, high reliability, and cost-effectiveness, demolition robots are widely used in the metal process industry for dismantling steel ladles, hot dismantling electric furnaces, hot cleaning furnace ports, hot cleaning package edges, digging iron trenches, cleaning VOD furnace covers, and cleaning torpedo tanks; It can be applied in foundries for unpacking, cleaning sand molds and end caps, and cleaning medium frequency furnace slag. Applied in the casting industry for dismantling iron ladle, pounding furnace, cleaning end caps, cleaning sand mold castings and pouring basins; Applied in the ferroalloy industry for dismantling ore furnaces and dismantling packages in ferroalloy factories; Applied in the copper lead zinc smelting industry for dismantling furnaces, cleaning furnace ports, cleaning bottom blowing slag outlets, cleaning side blowing furnace air holes, flues, and chutes; Used in the electrolytic aluminum industry for cleaning aluminum packages, cleaning anodes and online grooves, planing insulation furnaces, cleaning residual electrolytes, etc.



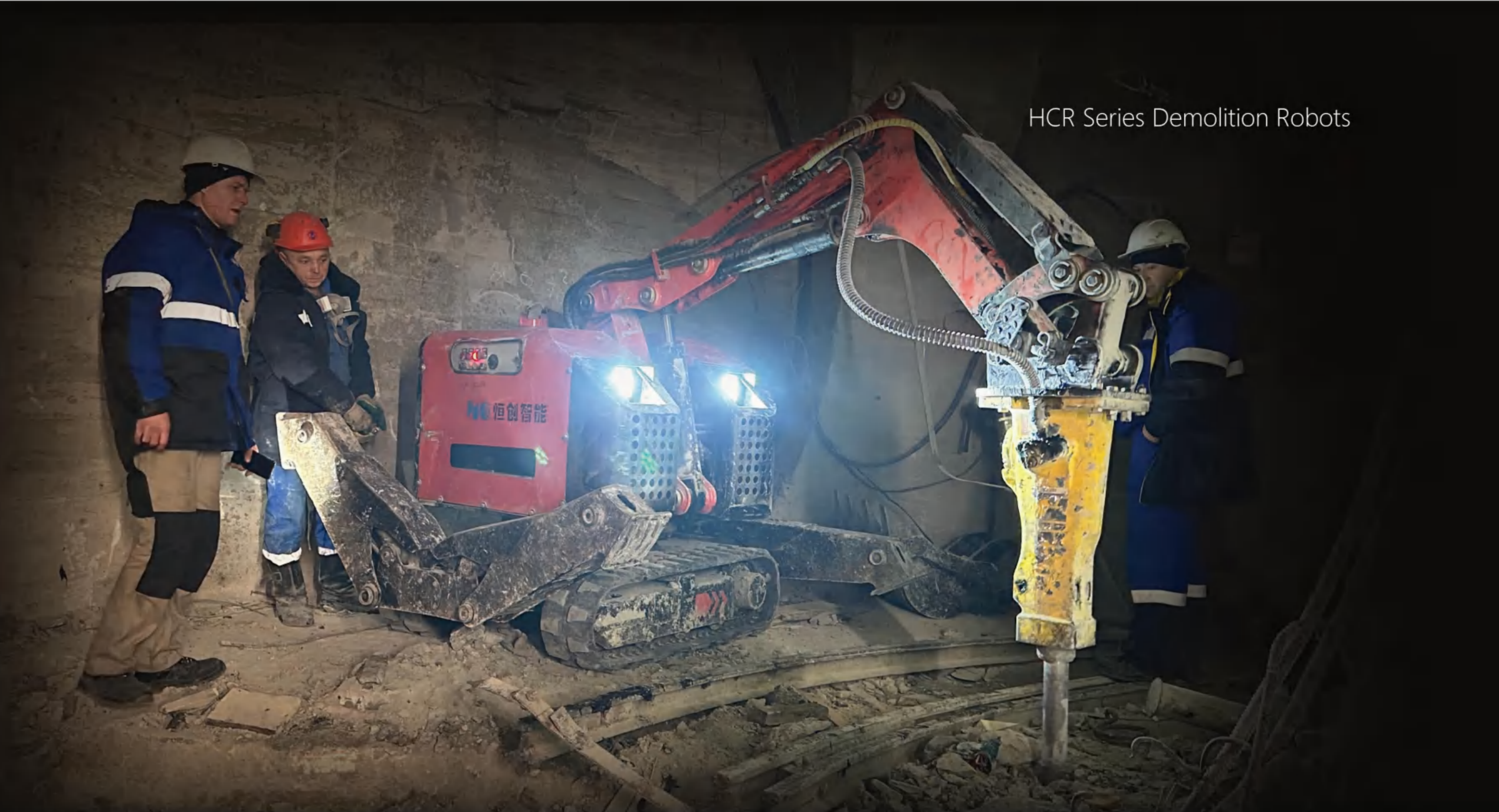
• Application Advantages:

The biggest advantage of the application of demolition robots in the metal processing industry is that they can significantly reduce the maintenance time of the main machine, improve the operation rate of production equipment, have high cost-effectiveness and low usage costs while ensuring the safety of construction personnel. In addition, demolition robots can also perform multiple tasks and play the role of "one machine, multiple functions".



Application In The Tunneling Industry

- Tunneling Application
- Tunnel excavation
- Demolition of temporary walls
- Excavate communication passages
- Excavation of drainage and cable tunnels



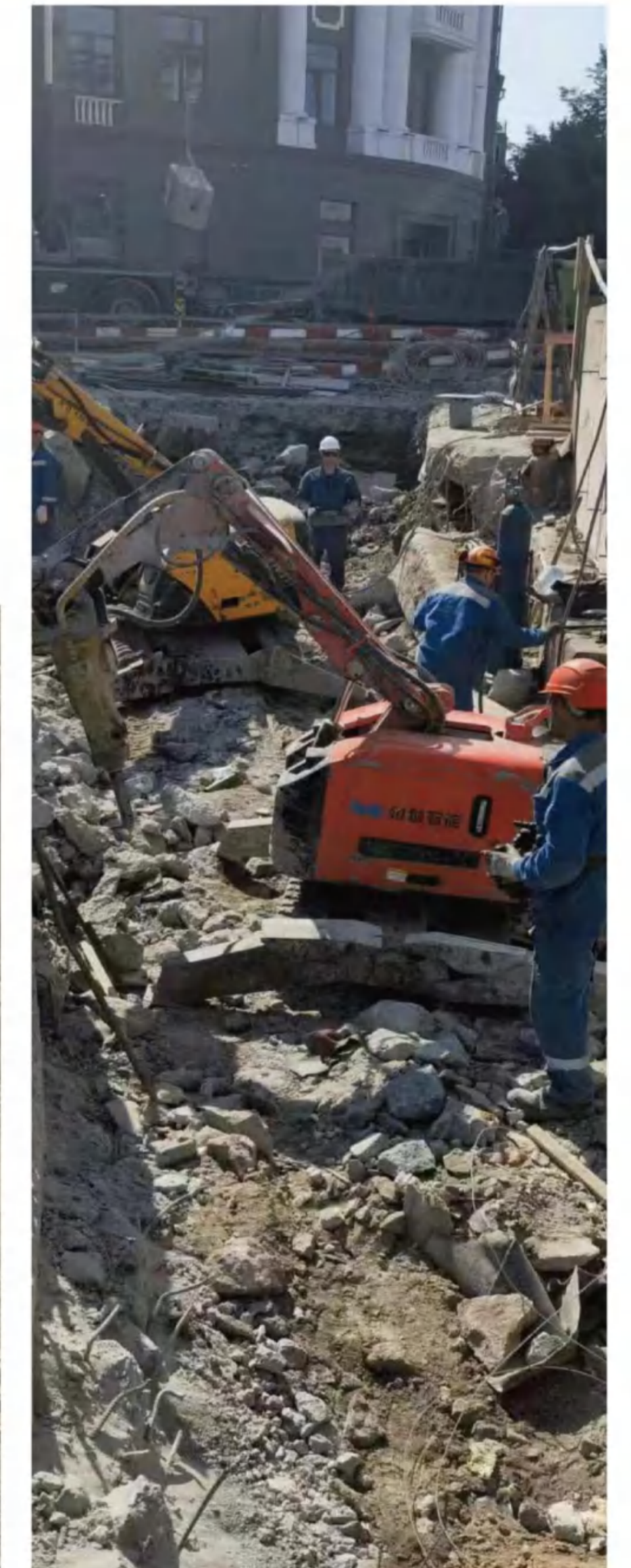
• Application of Tunneling:

Demolition robots have a wide range of applications in tunneling construction, and are ideal equipments for excavating connecting passages, tunnel excavation, and maintenance and renovation. Commonly used for the removal of temporary walls in underground tunnels, tunnel excavation, vertical shaft excavation, auxiliary support of tunnels, drainage, and excavation of cable tunnels. It is widely used in tunnel step method construction and frozen method connecting passage construction, and is suitable for mechanical excavation of various hardness rocks.



• Application Advantages:

The demolition robot has the advantages of a compact body, abundant power, and flexible maneuverability. It can enter narrow working faces and dangerous places for operation, improve efficiency, reduce production costs, and excavate with efficiency equivalent to several times the weight of an excavator. In addition, hydraulic hammers, digging buckets, splitting machines, support beam grippers, hydraulic drills, wet nozzles and other operations can be carried out to play the role of "one machine with multiple capabilities" in tunneling construction.



Application In The Construction Industry

- Construction Application:
 - Building descent
 - Dismantling stairs
 - Demolition of underground facilities
 - Demolition of dangerous old buildings



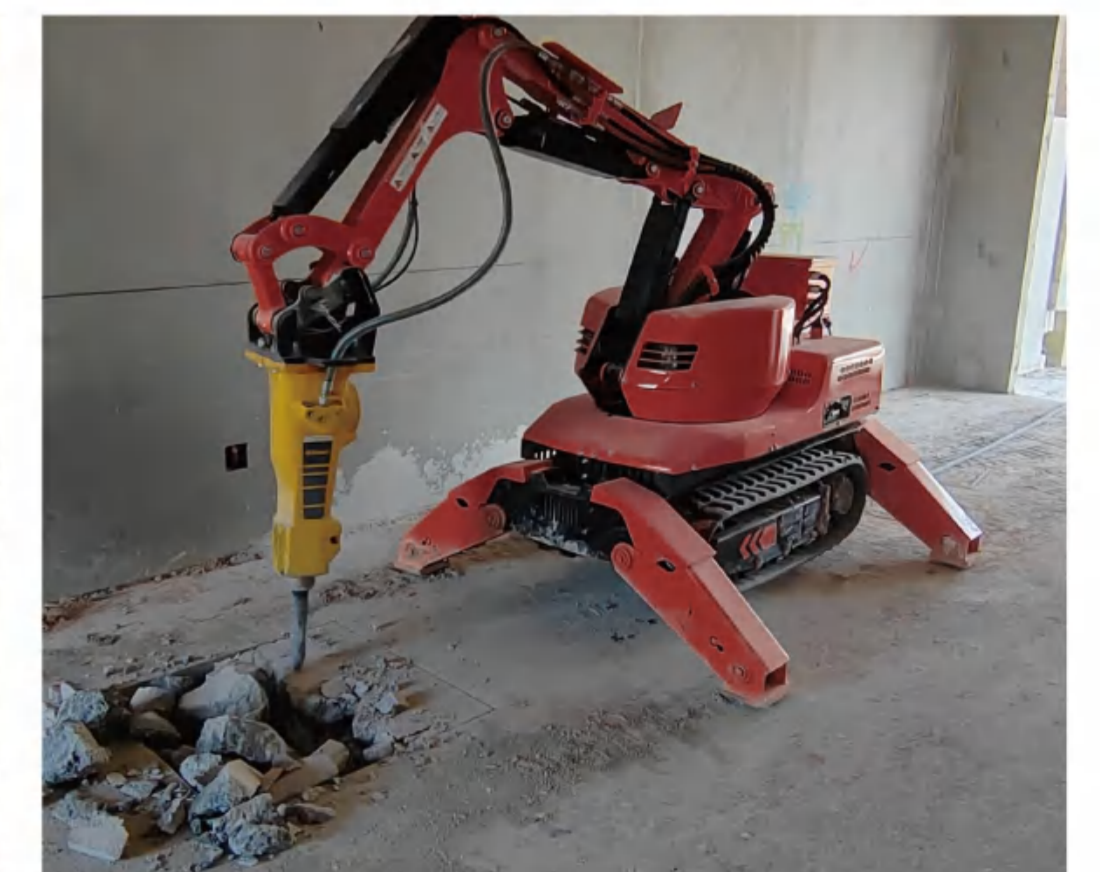
● Application Advantages:

The demolition robot has the advantages of a compact body, abundant power, and flexible maneuverability. It can enter narrow working faces and dangerous places for operation, improve efficiency, reduce production costs, and excavate with efficiency equivalent to several times the weight of an excavator. In addition, hydraulic hammers, digging buckets, splitting machines, support beam grippers, hydraulic drills, wet nozzles and other operations can be carried out to play the role of "one machine with multiple capabilities" in construction.



● Application of Construction:

Demolition robots have broad application prospects in the construction industry, and can efficiently complete tasks such as dismantling reinforced concrete structures, lowering building floors, and indoor renovation. Compared to traditional demolition equipments, demolition robots have lower noise and vibration, less interference with the surrounding environment, and lower construction costs. At the same time, its efficient demolition capability and precise operational control have injected new vitality into the modern development of the construction industry.



Application In The Security And Rescue

- Security And Rescue:
 - Clearing of ruins
 - Disaster site demolition
 - Search and rescue of trapped individuals
 - Work in hazardous and old environments
 - Nuclear facility decommissioning. Nuclear facility disposal. Nuclear facility emergency rescue



● Application Advantages:

Specially designed for safety emergency, fire rescue, and military defense applications. Equipped with remote video control, multi-sensor fusion, intelligent demolition, cutting, grabbing, obstacle clearing, fire extinguishing and other functions, greatly enhancing emergency rescue capabilities and ensuring safety and efficiency.

● Application of Security & Rescue:

Demolition robots play a crucial role in the field of security and rescue and are suitable for quick demolition operations at disaster sites, such as removing debris from collapsed buildings and breaking through barrier walls to rescue trapped individuals. Compared to traditional manual demolition tools, demolition robots have higher operational efficiency and stronger demolition capabilities, which can quickly open up rescue passages, reduce rescue risks, and improve rescue success rates. At the same time, its precise operational control also reduces secondary damage to the surrounding environment, providing strong support for subsequent rescue and reconstruction work.



Committing to Meticulous Demolition, Safeguarding High-Risk Operations
— As China's Expert in **Intelligent Demolition!**



HCR Series Demolition Robots 

Structural Diagram

The HCR series demolition robots have the advantages of high efficiency, precision, safety, reliability, and environmental protection. The body is compact, agile, powerful, and versatile, and can be equipped with multiple tool heads to meet different operational requirements. Multiple models are available for selection.

High reliability demolition robots (performance, quality, reliability, and durability)

Exceptional cooling capability to withstand high-temperature operating environments

Low energy consumption design, maximizing the utilization of hydraulic energy to provide sufficient power for the attachments

Load-balanced hydraulic stabilizer Outriggers

Protection for cylinders and hydraulic hoses

Bionic three-arm system

Optimized matching of attachments to ensure 100% utilization of the tool head's capabilities



The most reliable human-machine ergonomic remote controller

It is practical, resistant to interference, with a remote control (remote control distance can be customized). It features an LCD screen display

HCR70D

HCR70D is the smallest demolition robot that can pass through narrow doorways and be transported by a universal passenger elevator to enter narrow spaces for demolition work. Electric driven, flexible walking, low noise, and no emissions. It can replace human in hazardous and harsh environments such as toxic (pollution), flammable, explosive, prone to collapse, strong radiation, etc. for comprehensive and remote control of crushing, shearing, demolition and other operations.

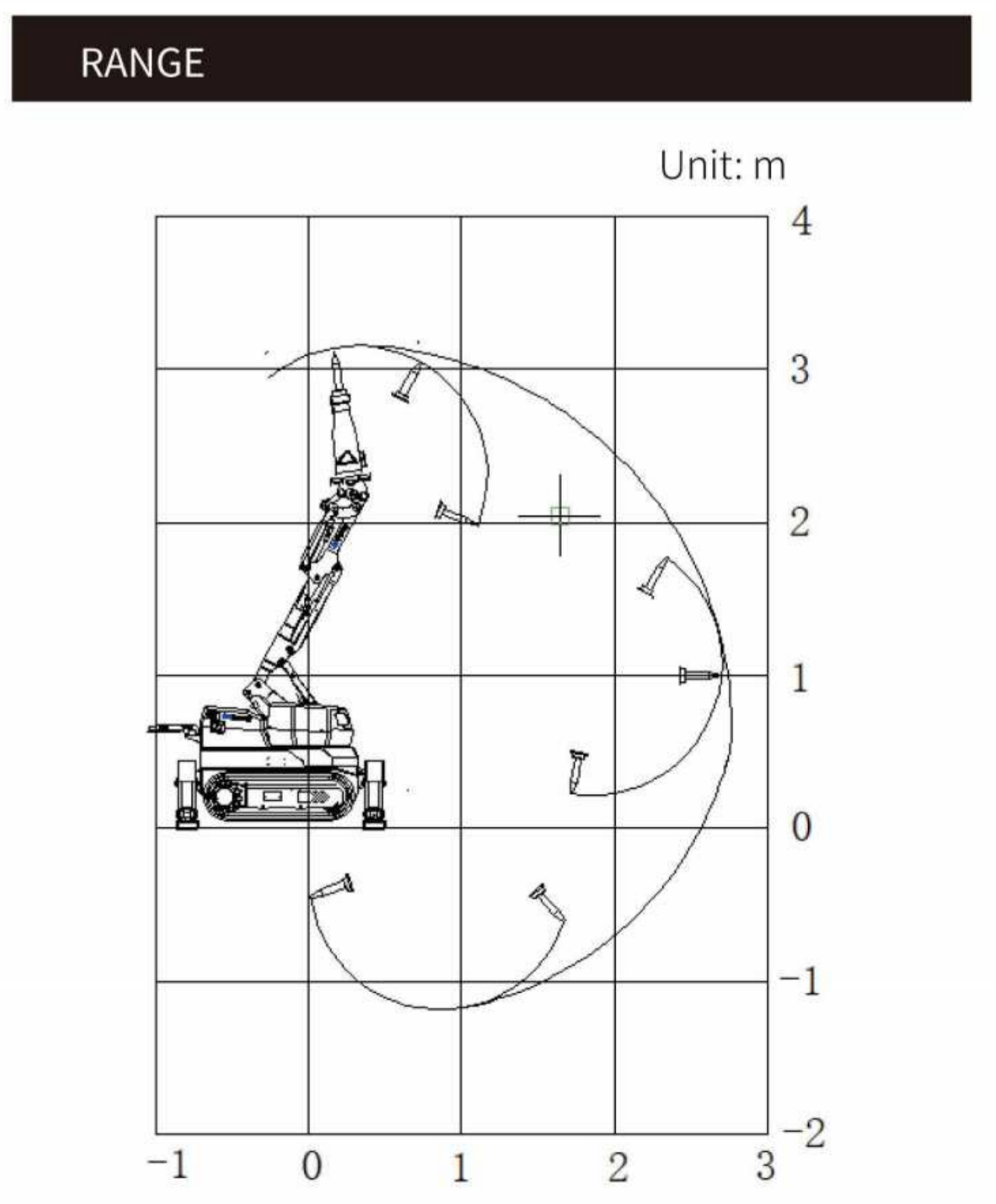
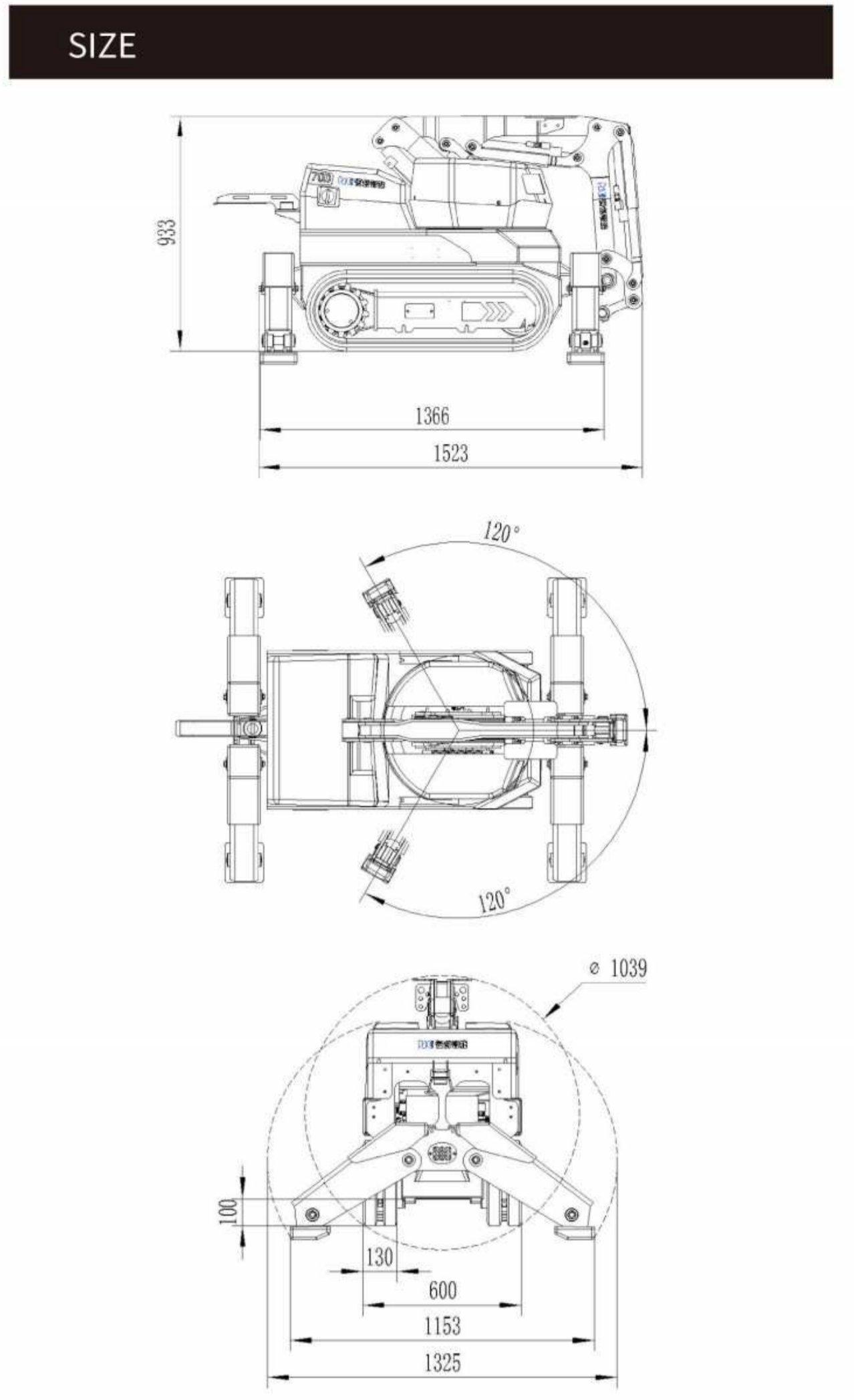
Widely used in:

- Emergency rescue
- Buildings interior renovation and demolition
- Metallurgical furnace maintenance and slag removal
- Nuclear accident rescue and nuclear waste treatment



TECHNICAL DATA	
Slewing speed	7 s/240°
Transport speed, max.	2.4 km/h
Incline angle, max.	30°
Hydraulic system capacity	27 L
Pump type	Variable load-sensing
System pressure	18 MPa
Pump flow	0-27 L/min
Electric motor type	YE3-132M-B5
Output	7.5 kW
Fuse	16A
Starting device	Direct start
Control type	Portable control box
Signal code	Digital
Transfer	Professional radio/Cable
Range, radio	100 m
Weight of machine excluding attachment	900kg
Recommended attachment weight	105 kg

OPTION	
Working attachments such as buckets and hydraulic shears	
Rubber track/steel track	
Mechanical quick coupling	
Forced air cooling	
Oil cylinder special protection	
Hydraulic hammer water jet function	
Backup oil circuit (extra hydraulic function)	
Track steel pads/other chisels	
High temperature hose/nuclear protection	
Hydraulic oil circuit automatic conduction quick coupling/hydraulic wrist	
Remote video system, sensors	
Fire cannon, booster and bulldozer	



HCR120D

HCR120D is an engineering robot driven by a motor, which is energy-saving and environmentally friendly. Its compact design and maneuverability can be applied to many projects. It can be accessed through ordinary porches and narrow passages, with maneuverability, high load-bearing capacity, and strong obstacle crossing ability. It can climb stairs or 30° slopes, suitable for small spaces.

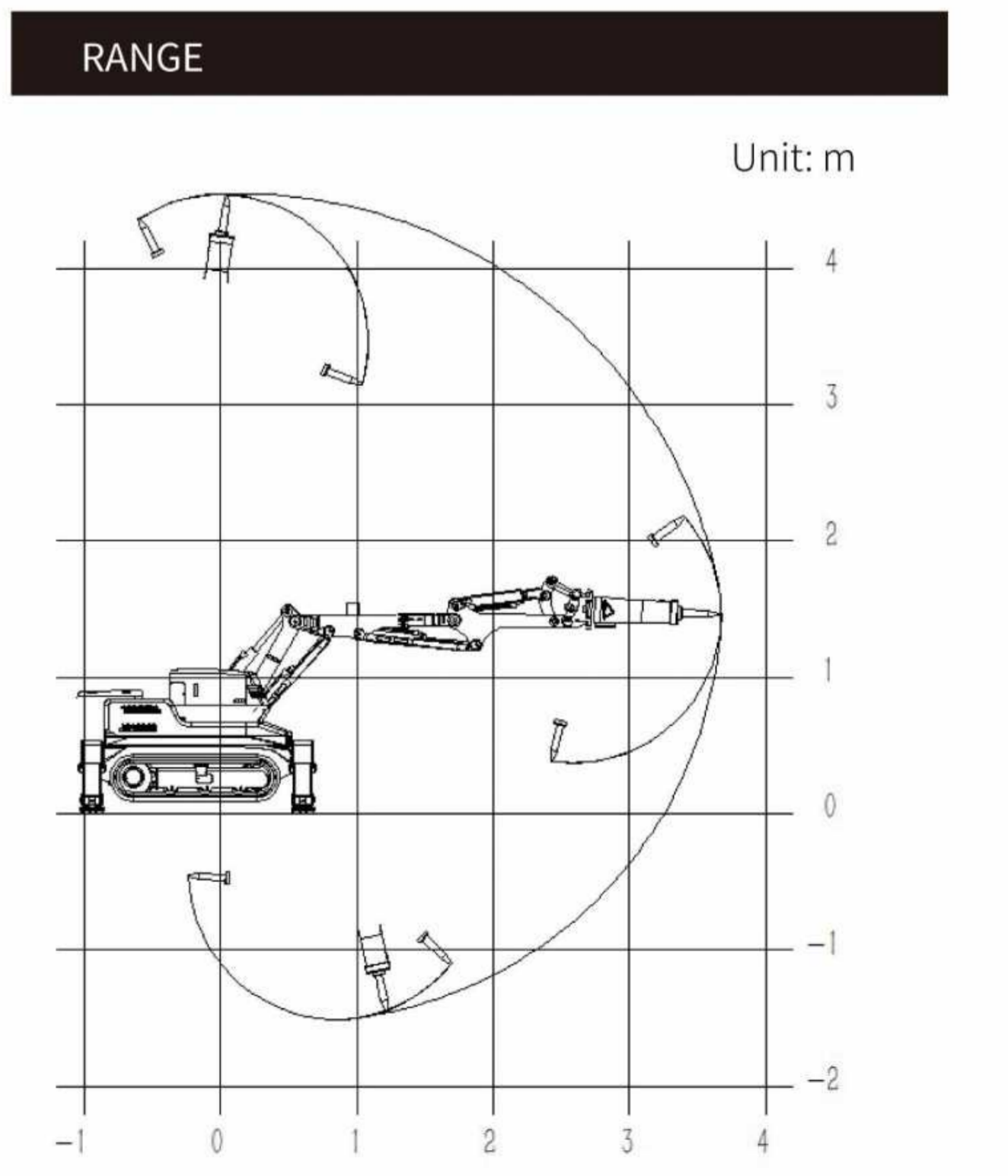
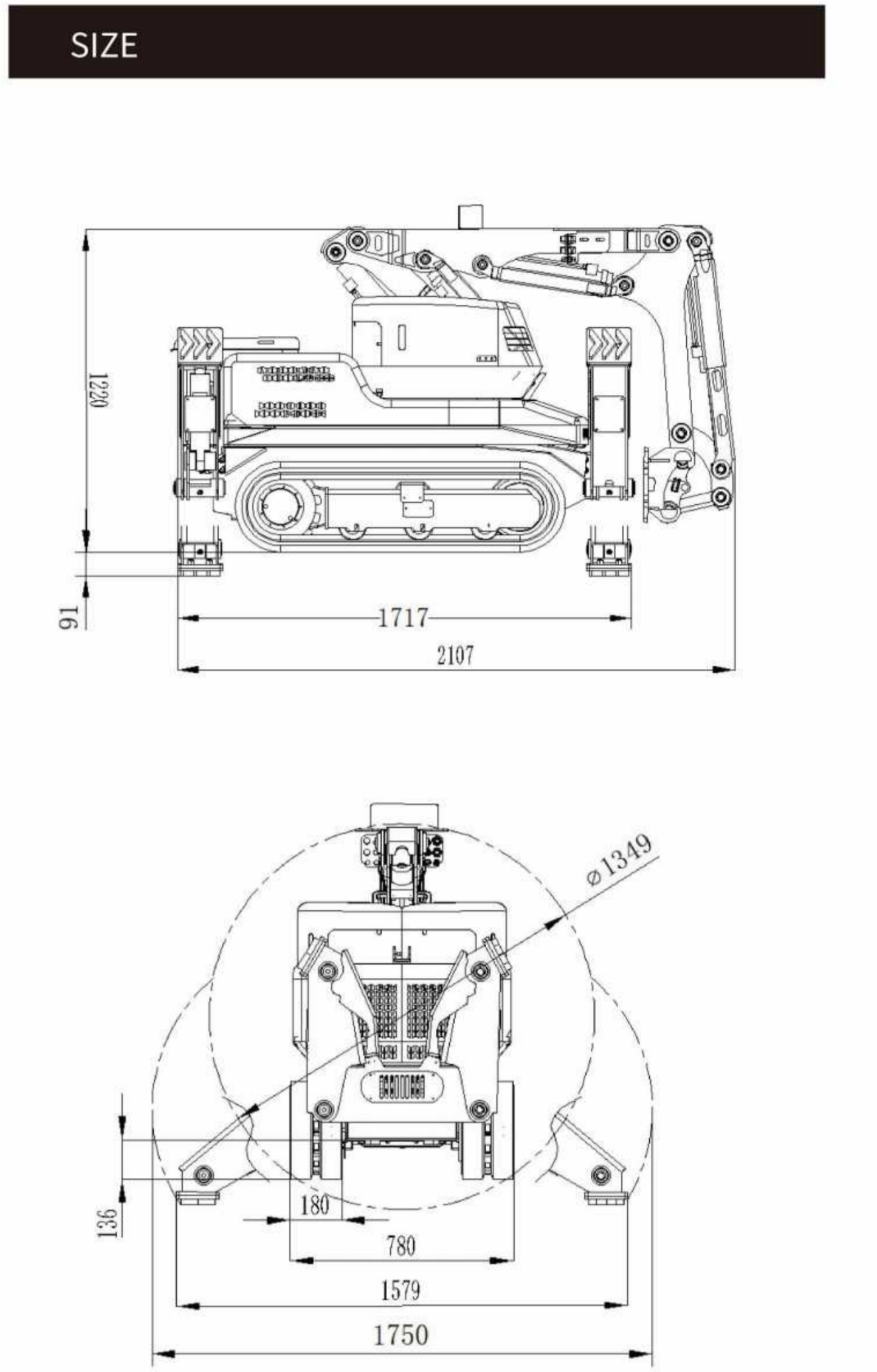
Widely used in:

- Metallurgical furnace maintenance and slag removal
- Emergency rescue
- Nuclear accident rescue and nuclear waste treatment
- Demolition and renovation of commercial and industrial buildings



TECHNICAL DATA	
Slewing speed	12 s/360°
Transport speed, max.	2.5 km/h
Incline angle, max.	30°
Hydraulic system capacity	40 L
Pump type	Variable load-sensing
System pressure	18 MPa
Pump flow	0-60 L/min
Electric motor type	YYB180M
Output	18.5 kW
Fuse	32A
Starting device	Direct start
Control type	Portable control box
Signal code	Digital
Transfer	Professional radio/Cable
Range, radio	100 m
Weight of machine excluding attachment	1650 kg
Recommended attachment weight	160 kg

OPTION	
Working attachments such as buckets and hydraulic shears	
Rubber track/steel track	
Mechanical quick coupling	
Forced air cooling	
Oil cylinder special protection	
Hydraulic hammer water jet function	
Backup oil circuit (extra hydraulic function)	
Track steel pads/other chisels	
High temperature hose/nuclear protection	
Hydraulic oil circuit automatic conduction quick coupling/hydraulic wrist	
Remote video system, sensors	
Fire cannon, booster and bulldozer	



HCR120C

HCR120C is the smallest diesel engine driven demolition robot, and its compact design and maneuverability make it suitable for many projects. It can be accessed through ordinary porches and narrow passages, with maneuverability and flexibility, without dragging cables, and has great load-bearing capacity and strong obstacle crossing ability. It can climb stairs or 30° slopes.

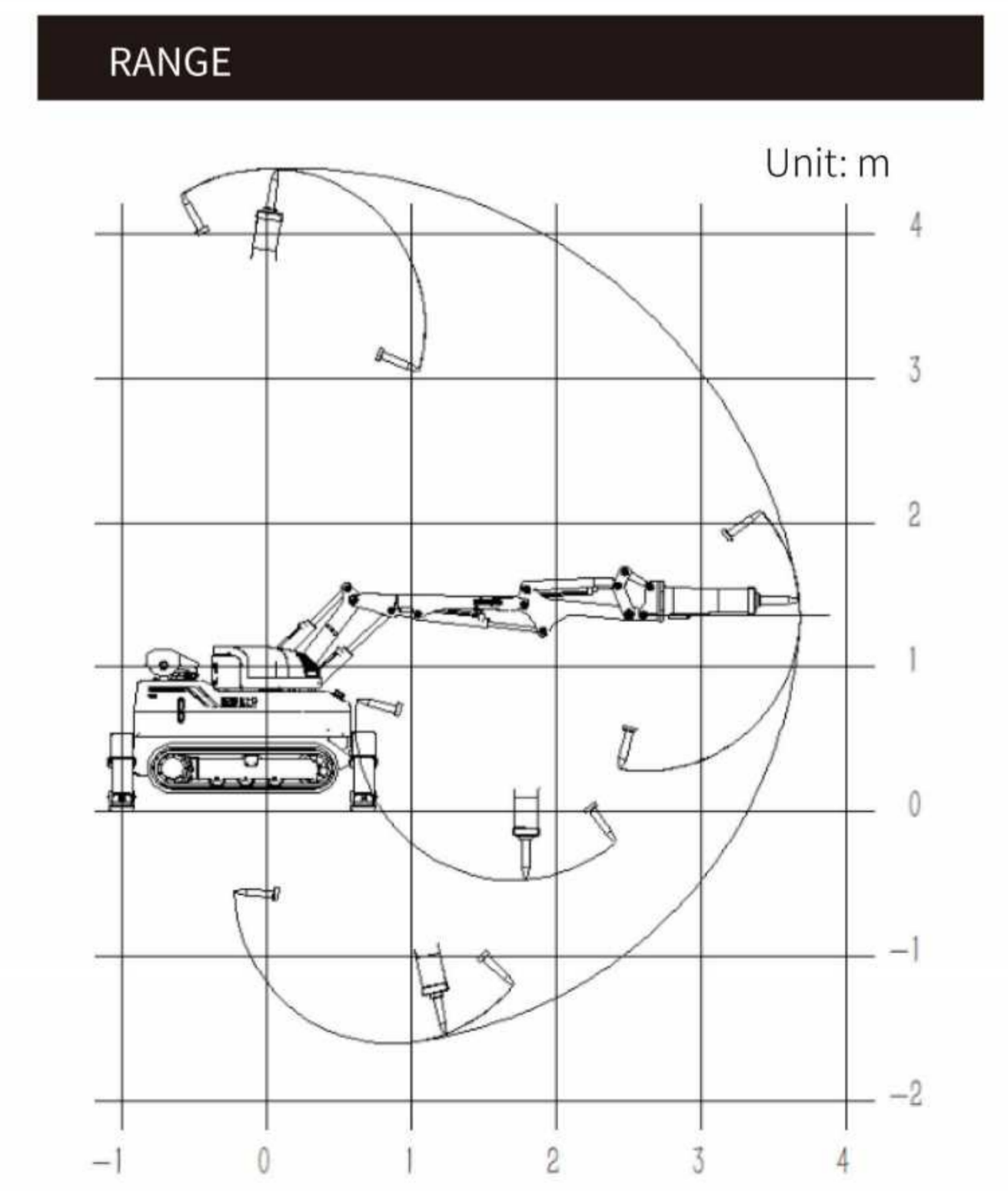
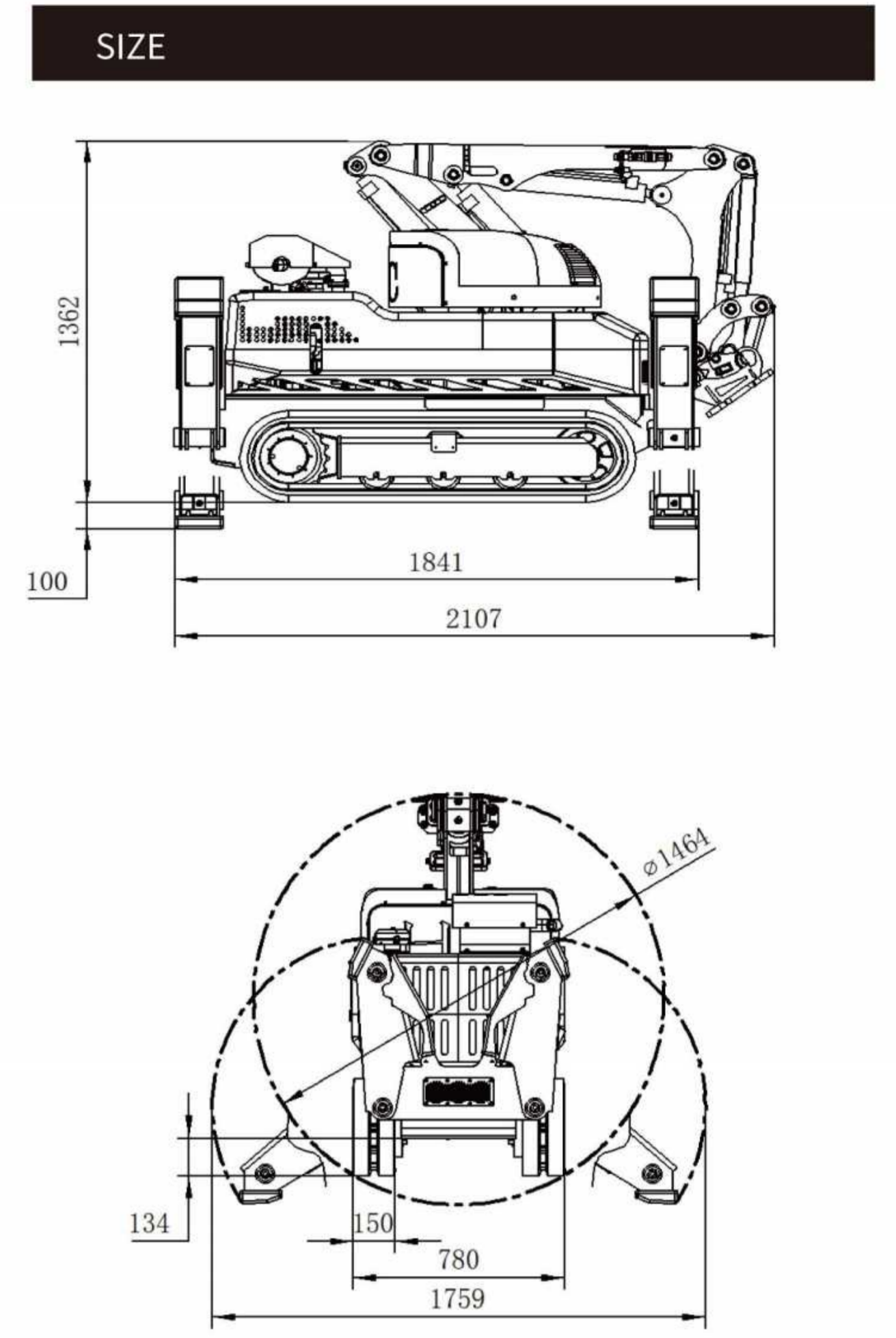
Widely used in:

- Metallurgical furnace maintenance and slag removal
- Emergency rescue
- Nuclear accident rescue and nuclear waste treatment
- Demolition and renovation of commercial and industrial buildings



TECHNICAL DATA	
Slewing speed	12 s/360°
Transport speed	2.2/4.0 km/h(Slow/Fast)
Incline angle, max.	30°
Hydraulic system capacity	40 L
Pump type	Variable load-sensing
System pressure	19 MPa
Pump flow	0-50 L/min
Engine	Inline 3-cylinder water-cooled four stroke diesel engine
Output	18.4 kW
Fuse	16A/32A According to different routes
Starting device	Direct start
Control type	Portable control box
Signal code	Digital
Transfer	Professional radio/Cable
Range, radio	100 m
Weight of machine excluding attachment	1500 kg
Recommended attachment weight	160 kg

OPTION	
Working attachments such as buckets and hydraulic shears	
Rubber track/steel track	
Mechanical quick coupling	
Forced air cooling	
Oil cylinder special protection	
Hydraulic hammer water jet function	
Backup oil circuit (extra hydraulic function)	
Track steel pads/other chisels	
High temperature hose/nuclear protection	
Hydraulic oil circuit automatic conduction quick coupling/hydraulic wrist	
Remote video system, sensors	
Fire cannon, booster and bulldozer	



HCR170D

HCR170D is compact, small size, lightweight and has excellent crushing ability, widely used in the construction and metal processing industries. It can enter narrow doorways and metallurgical furnace mouth to efficiently complete demolition operations. Its main features are compact machine, high force, and precise demolition. Precise remote control technology keeps operators away from dangerous areas, and robots replace manual work, greatly improving the speed of demolition.

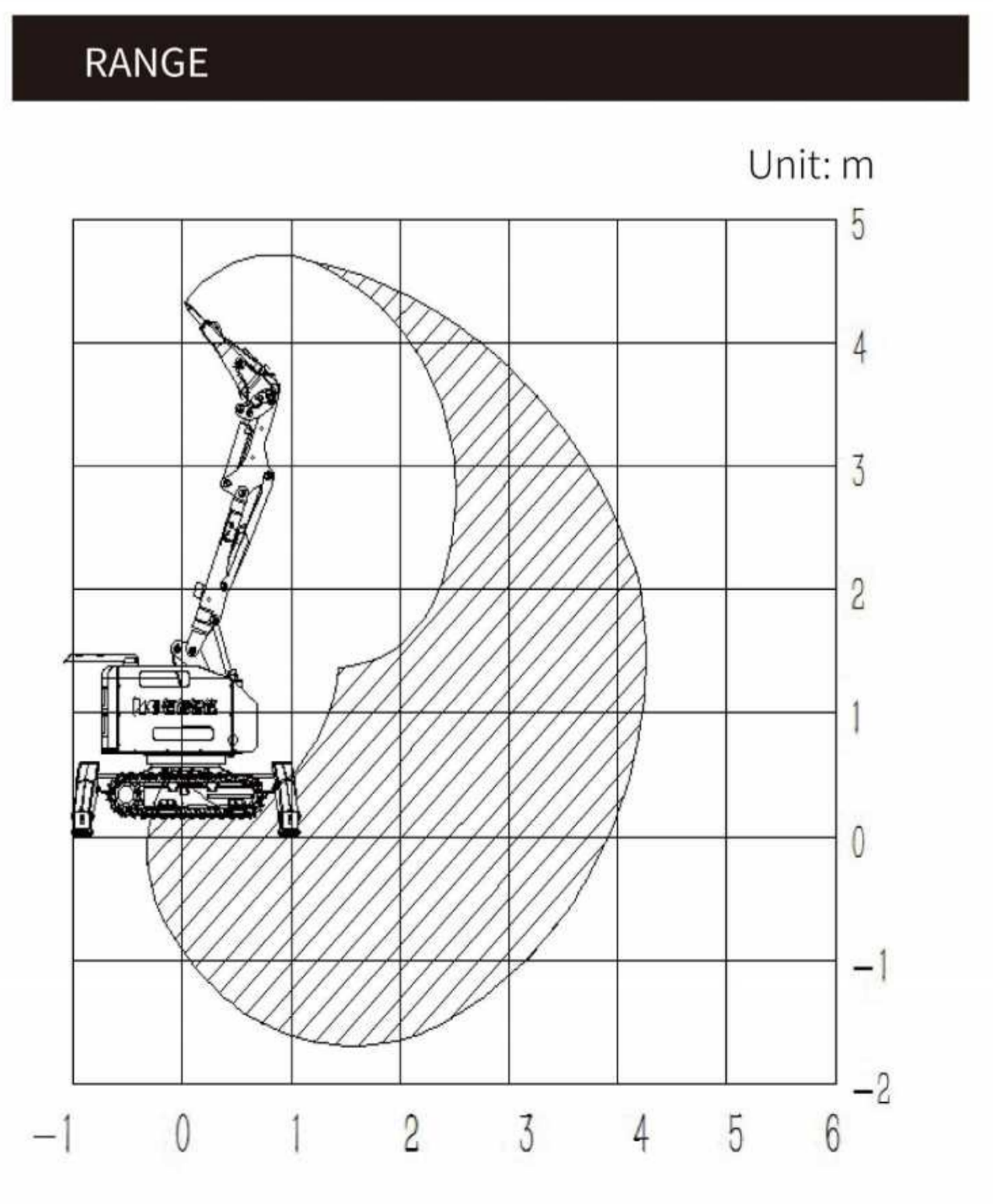
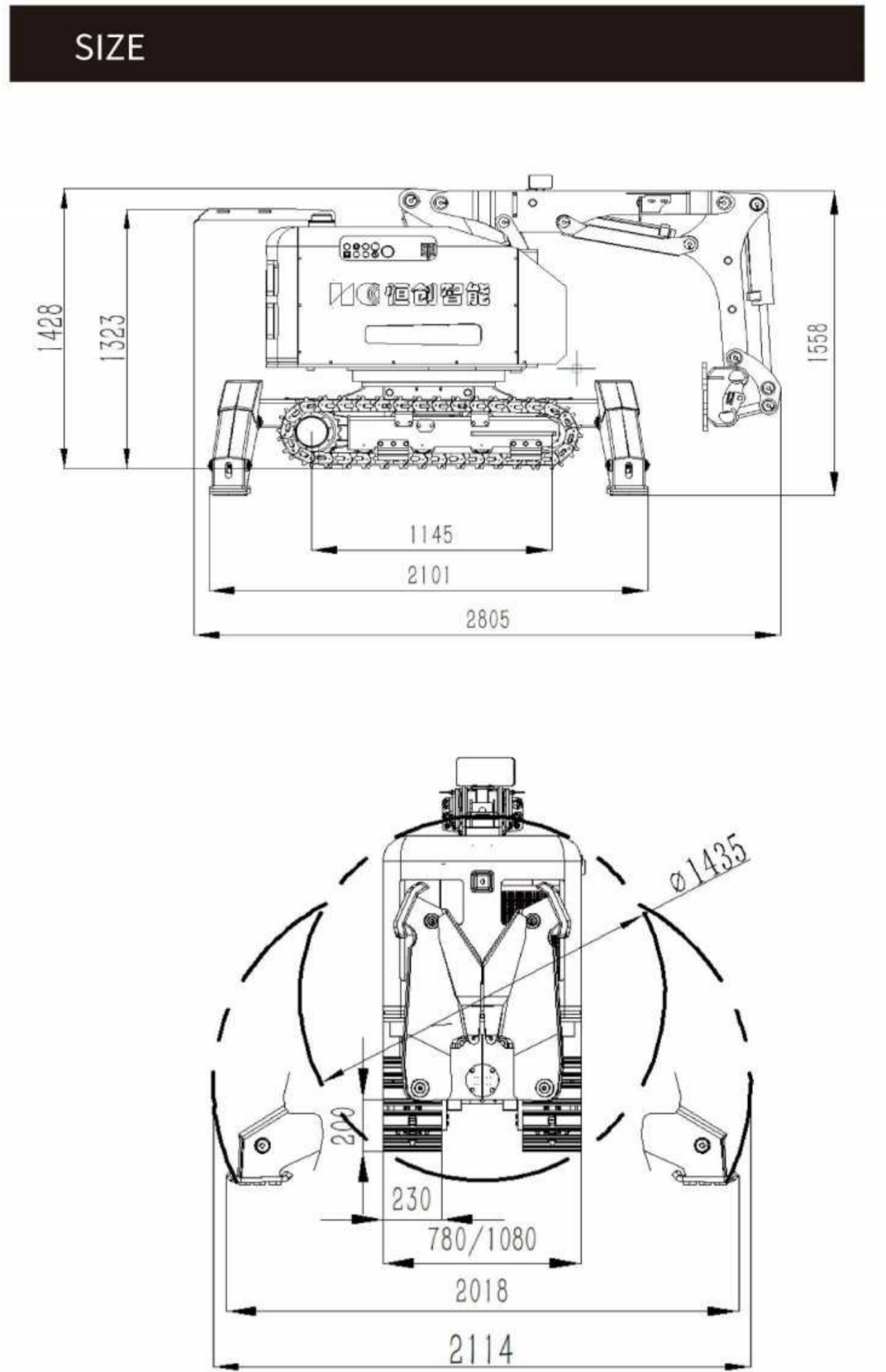
Widely used in:

- Nuclear industry
- Construction demolition
- Rotary kilns maintenance
- Metallurgical furnace maintenance
- Mining and tunneling construction



TECHNICAL DATA	
Slewing speed	12 s/360°
Transport speed, max.	2.5 km/h
Incline angle, max.	30°
Hydraulic system capacity	80 L
Pump type	Variable load-sensing
System pressure	19/24 MPa
Pump flow	0-60 L/min
Electric motor type	YE3-180L-4B35
Output	22 kW
Fuse	63A
Starting device	Direct start
Control type	Portable control box
Signal code	Digital
Transfer	Professional radio/Cable
Range, radio	100 m
Weight of machine excluding attachment	2570 kg
Recommended attachment weight	270 kg

OPTION	
Working attachments such as buckets and hydraulic shears	
Rubber track/steel track	
Mechanical quick coupling	
Forced air cooling	
Oil cylinder special protection	
Hydraulic hammer water jet function	
Backup oil circuit (extra hydraulic function)	
Track steel pads/other chisels	
High temperature hose/nuclear protection	
Hydraulic oil circuit automatic conduction quick coupling/hydraulic wrist	
Remote video system, sensors	
Fire cannon, booster and bulldozer	



HCR200D

HCR200D has outstanding advantages in the fields of concrete cutting, rotary kiln brick removal, and metal processing. HCR200D has strong crushing ability and is equipped with hydraulic crushers, which can crush thicker beams, columns, and floors. This model of high-performance demolition robot is the first choice for construction and metallurgical furnace maintenance.

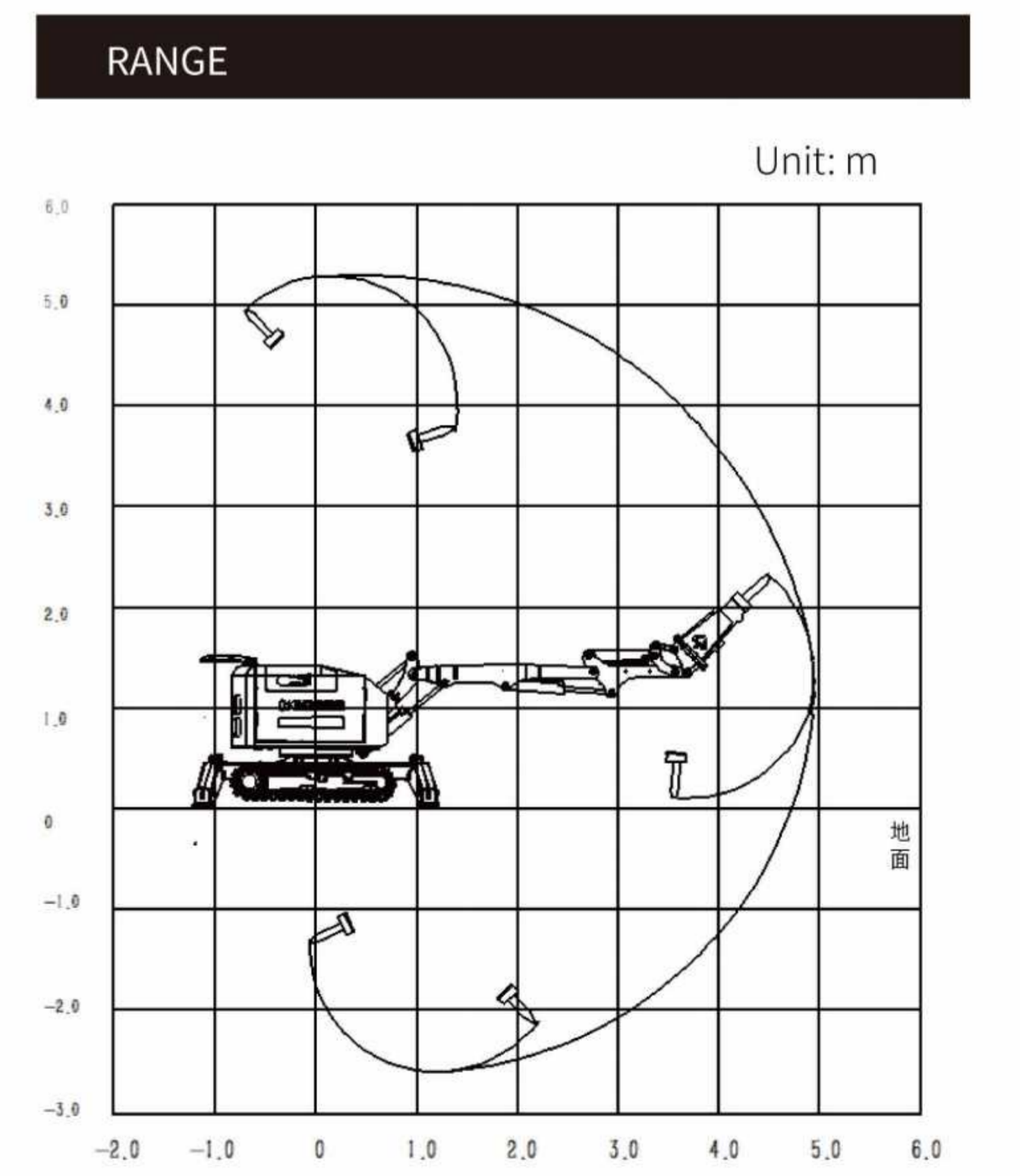
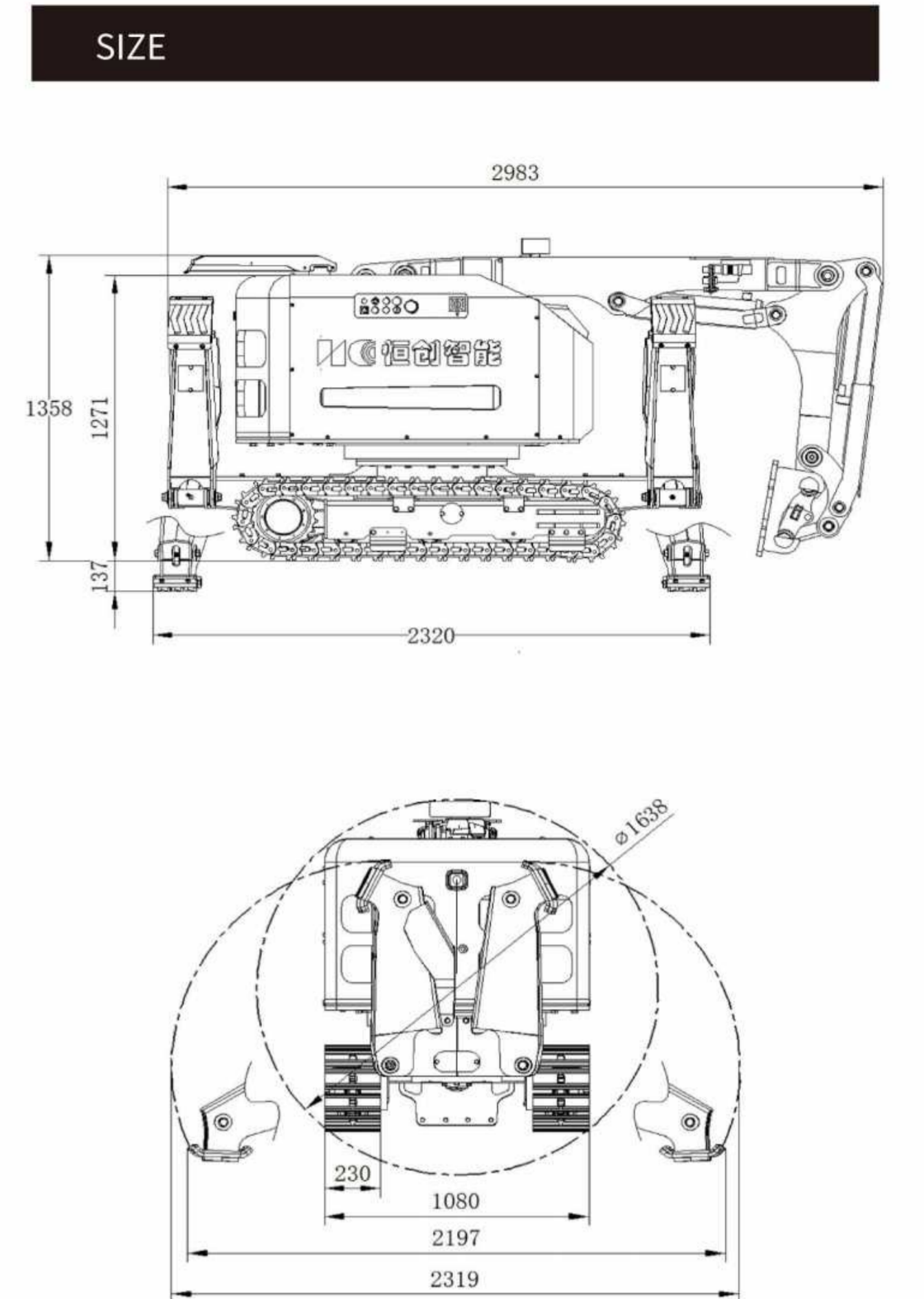
Widely used in:

- Nuclear industry
- Tunnel excavation
- Metal processing industry
- Construction demolition
- Various rotary kilns (cement, limestone, pellets)



TECHNICAL DATA	
Slewing speed	12 s/360°
Transport speed, max.	2.5 km/h
Incline angle, max.	30°
Hydraulic system capacity	85 L
Pump type	Variable load-sensing
System pressure	18/24 MPa
Pump flow	0-90 L/min
Electric motor type	YE3-200L-4B35
Output	30 kW
Fuse	63A
Starting device	Direct start
Control type	Portable control box
Signal code	Digital
Transfer	Professional radio/Cable
Range, radio	100 m
Weight of machine excluding attachment	3230 kg
Recommended attachment weight	350 kg

OPTION	
Working attachments such as buckets and hydraulic shears	
Rubber track/steel track	
Mechanical quick coupling	
Forced air cooling	
Oil cylinder special protection	
Hydraulic hammer water jet function	
Backup oil circuit (extra hydraulic function)	
Track steel pads/other chisels	
High temperature hose/nuclear protection	
Hydraulic oil circuit automatic conduction quick coupling/hydraulic wrist	
Remote video system, sensors	
Fire cannon, booster and bulldozer	



HCR260D

HCR260D has outstanding advantages in the fields of concrete cutting, rotary kiln brick removal, and metal processing. HCR200D has strong crushing ability and is equipped with hydraulic crushers, which can crush thicker beams, columns, and floors. This model of high-performance demolition robot is the first choice for construction and metallurgical furnace maintenance.

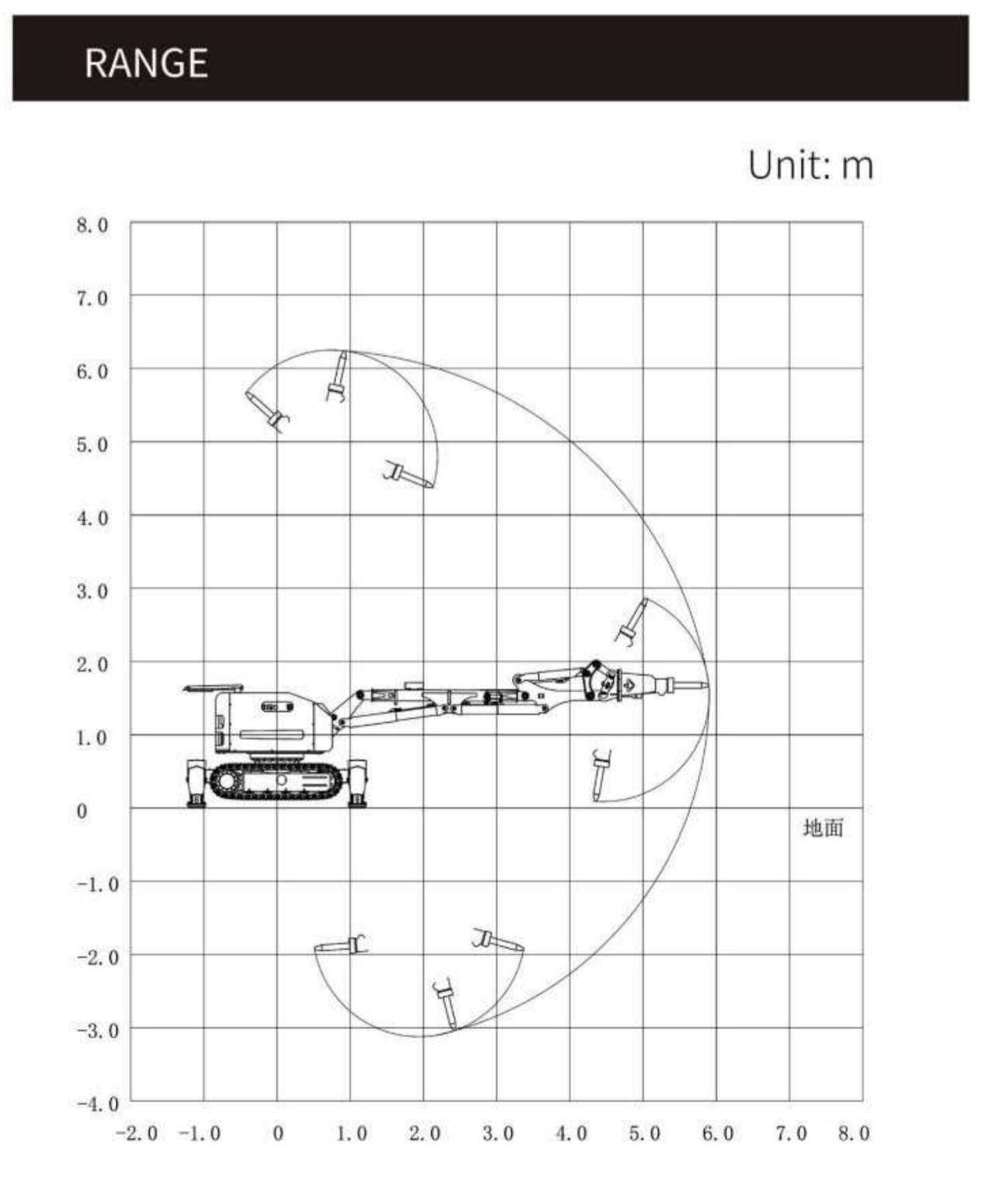
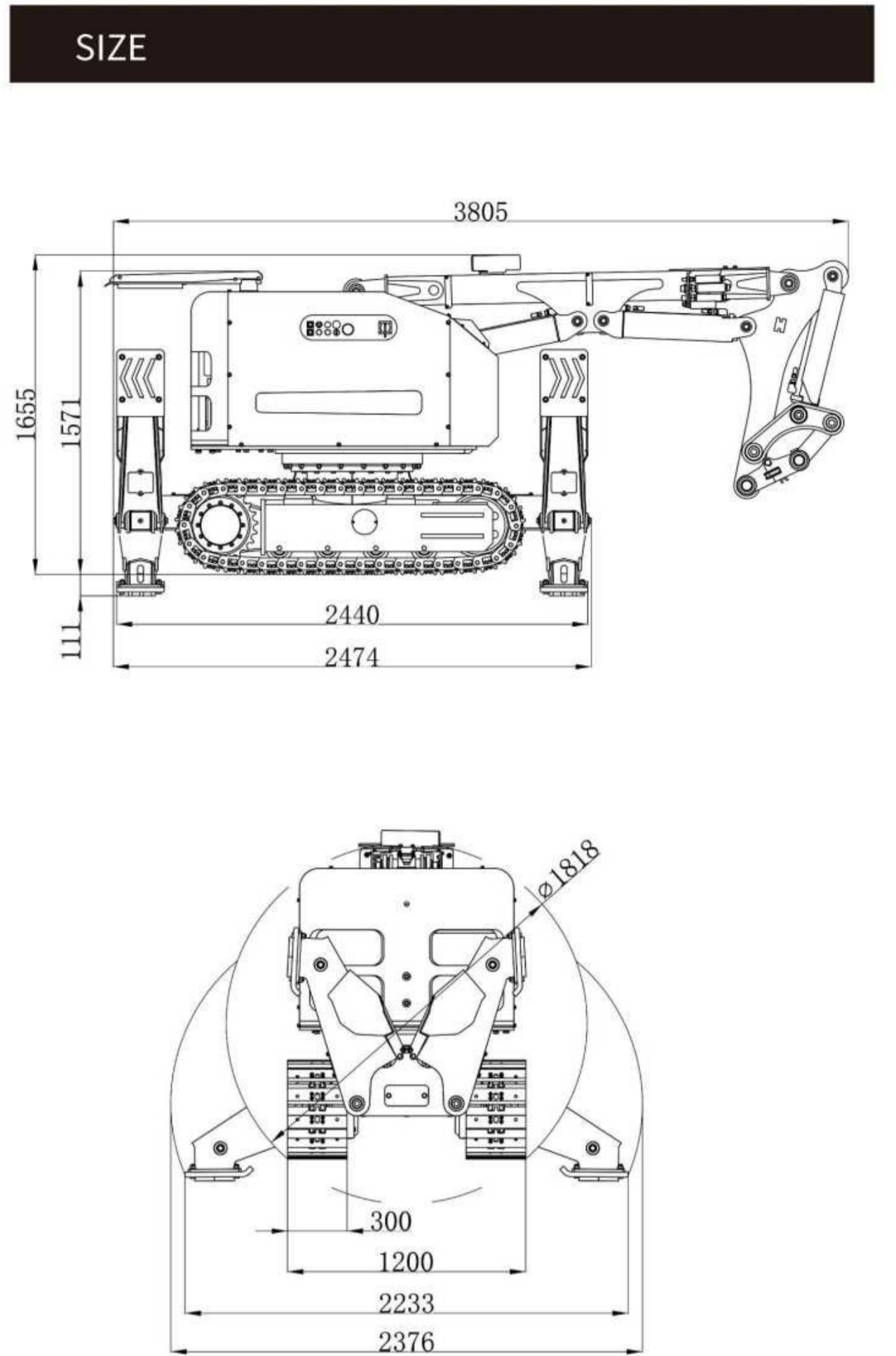
Widely used in:

- Nuclear industry
- Tunnel excavation
- Metal processing industry
- Construction demolition
- Various rotary kilns (cement, limestone, pellets)



TECHNICAL DATA	
Slewing speed	16 s/360°
Transport speed, max.	2.5 km/h
Incline angle, max.	30°
Hydraulic system capacity	95 L
Pump type	Variable load-sensing
System pressure	19/23 MPa
Pump flow	0-83 L/min
Electric motor type	YE3-200L-4B35
Output	30 kW
Fuse	100A
Starting device	Direct start
Control type	Portable control box
Signal code	Digital
Transfer	Professional radio/Cable
Range, radio	100 m
Weight of machine excluding attachment	4280kg
Recommended attachment weight	350 kg

OPTION	
Working attachments such as buckets and hydraulic shears	
Rubber track/steel track	
Mechanical quick coupling	
Forced air cooling	
Oil cylinder special protection	
Hydraulic hammer water jet function	
Backup oil circuit (extra hydraulic function)	
Track steel pads/other chisels	
High temperature hose/nuclear protection	
Hydraulic oil circuit automatic conduction quick coupling/hydraulic wrist	
Remote video system, sensors	
Fire cannon, booster and bulldozer	



HCR300D

HCR300D has the advantages of excellent technical performance and high reliability, and is a product widely used in industries such as cement, metal processing, tunnel excavation, connecting passages excavation, and quick demolition. Its demolition, slag removal, and crushing capabilities are strong, making it a comprehensive, multi-purpose, and multifunctional demolition robot.

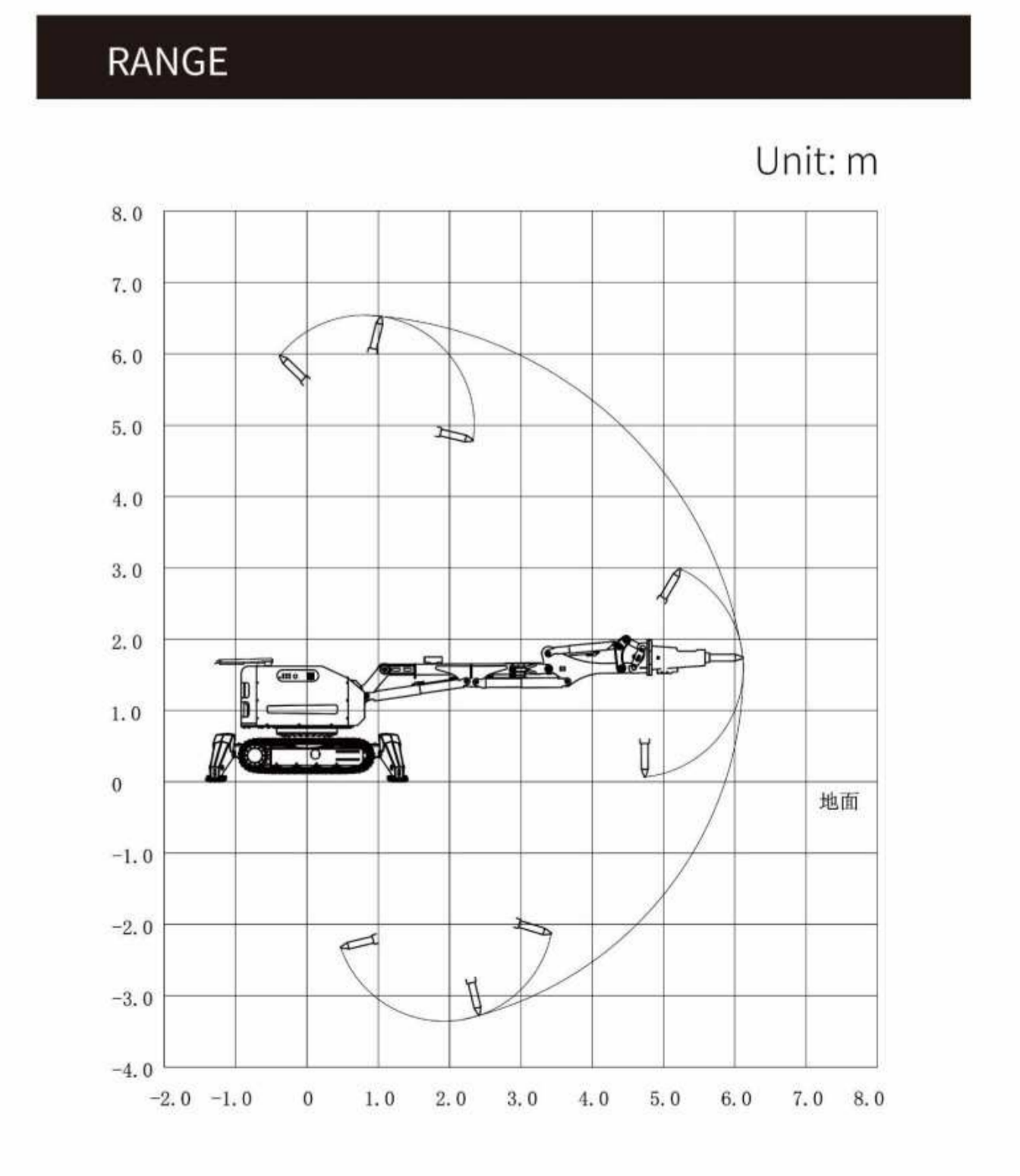
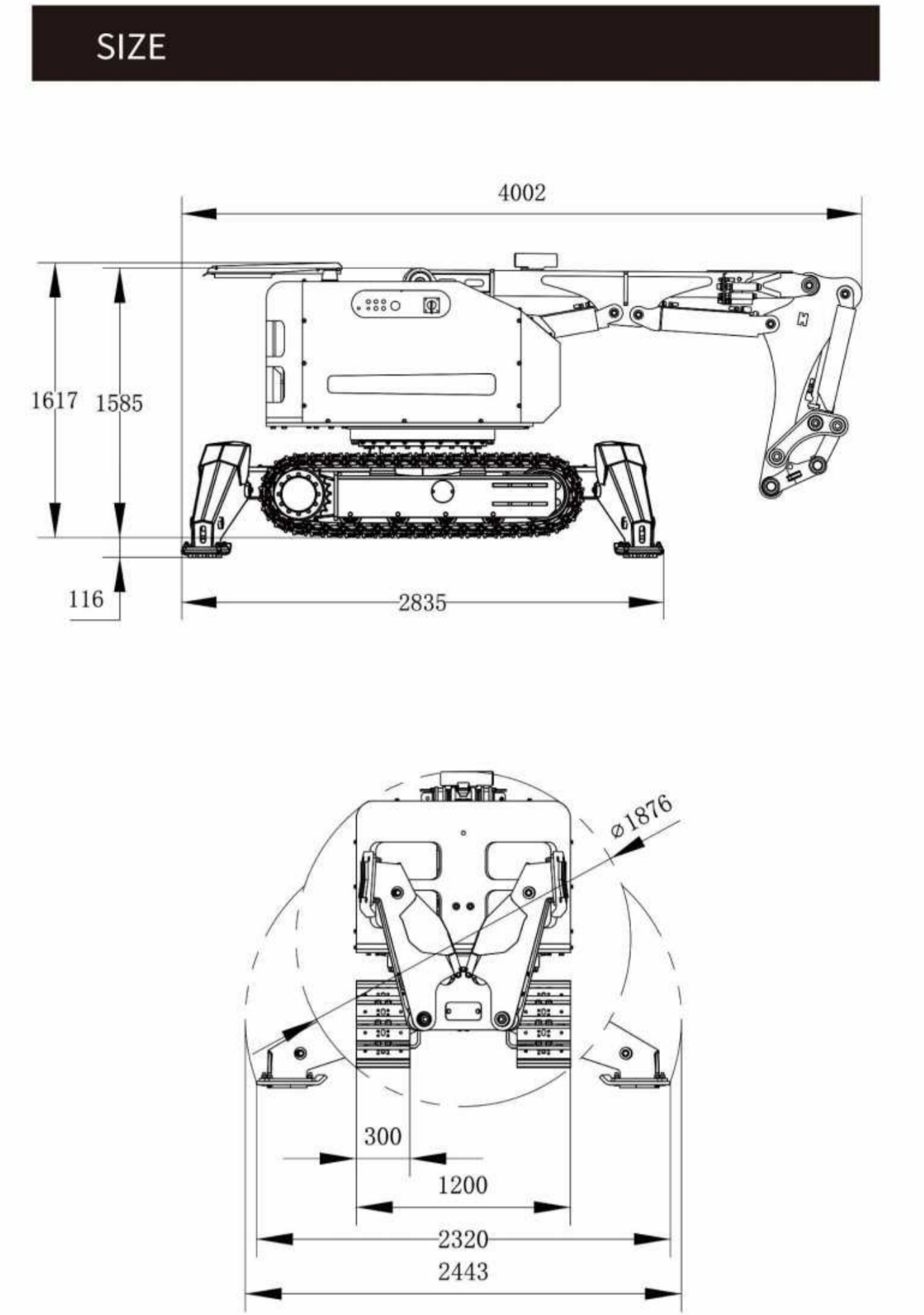
Widely used in:

- Nuclear industry
- Tunnel excavation
- Metal processing industry
- Construction demolition
- Various rotary kilns (cement, limestone, pellets)



TECHNICAL DATA	
Slewing speed	16 s/360°
Transport speed, max.	2.5 km/h
Incline angle, max.	30°
Hydraulic system capacity	118 L
Pump type	Variable load-sensing
System pressure	19/23 MPa
Pump flow	0-105 L/min
Electric motor type	YE3-225S-4-B35
Output	37 kW
Fuse	100A
Starting device	Direct start
Control type	Portable control box
Signal code	Digital
Transfer	Professional radio/Cable
Range, radio	100 m
Weight of machine excluding attachment	4650kg
Recommended attachment weight	500 kg

OPTION	
Working attachments such as buckets and hydraulic shears	
Rubber track/steel track	
Mechanical quick coupling	
Forced air cooling	
Oil cylinder special protection	
Hydraulic hammer water jet function	
Backup oil circuit (extra hydraulic function)	
Track steel pads/other chisels	
High temperature hose/nuclear protection	
Hydraulic oil circuit automatic conduction quick coupling/hydraulic wrist	
Remote video system, sensors	
Fire cannon, booster and bulldozer	



HCR500D

HCR500D has excellent demolition efficiency, high reliability and maintainability. In large-span construction demolition operations, tunnel excavation, metal processing and brick removal, it can further improve work efficiency and save time. With its outstanding power to weight ratio, it can be used for the demolition of large section concrete beams, columns, and high-strength cement floor slabs. In tunnel excavation construction, it has excellent breaking and demolition capabilities.

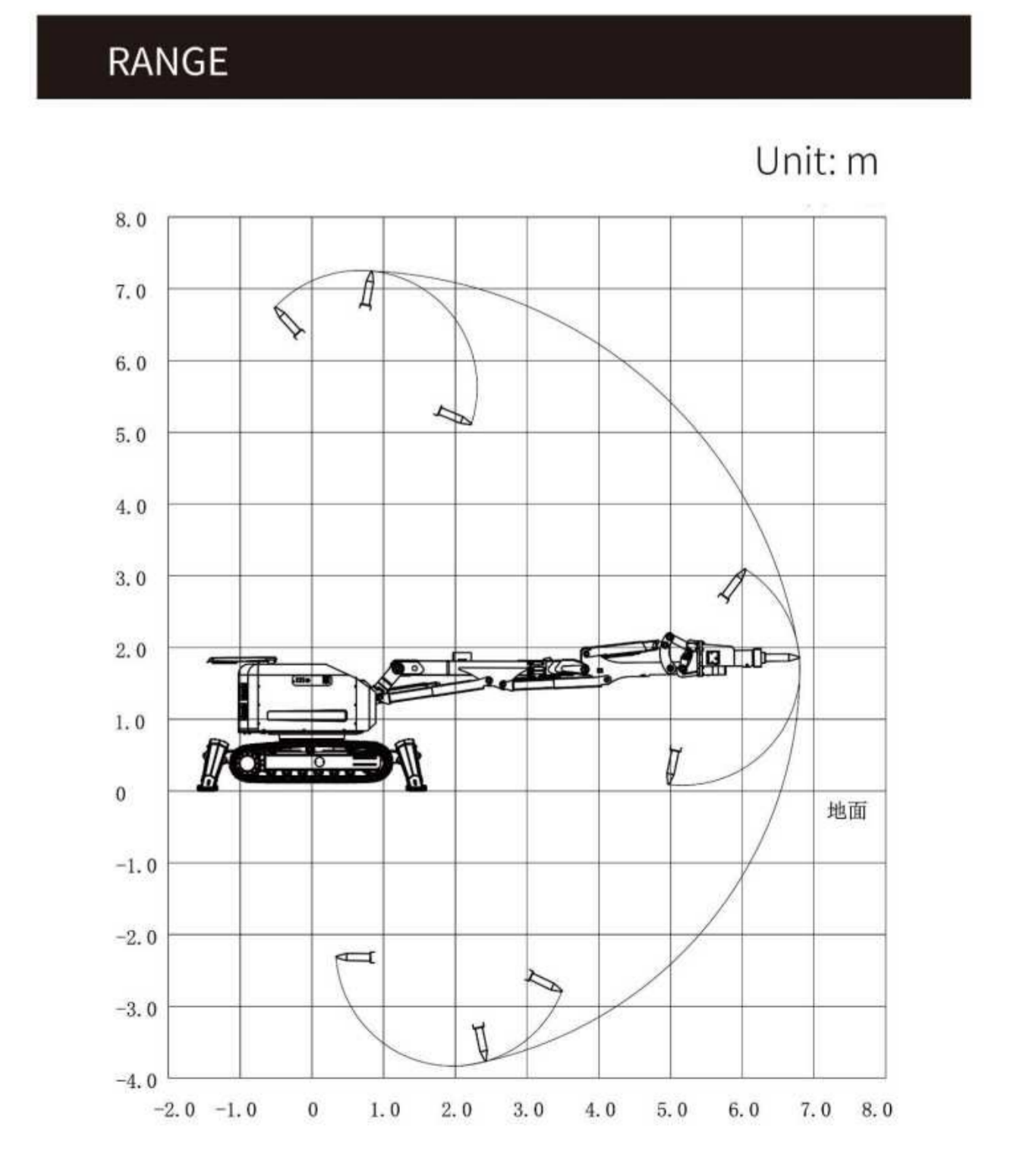
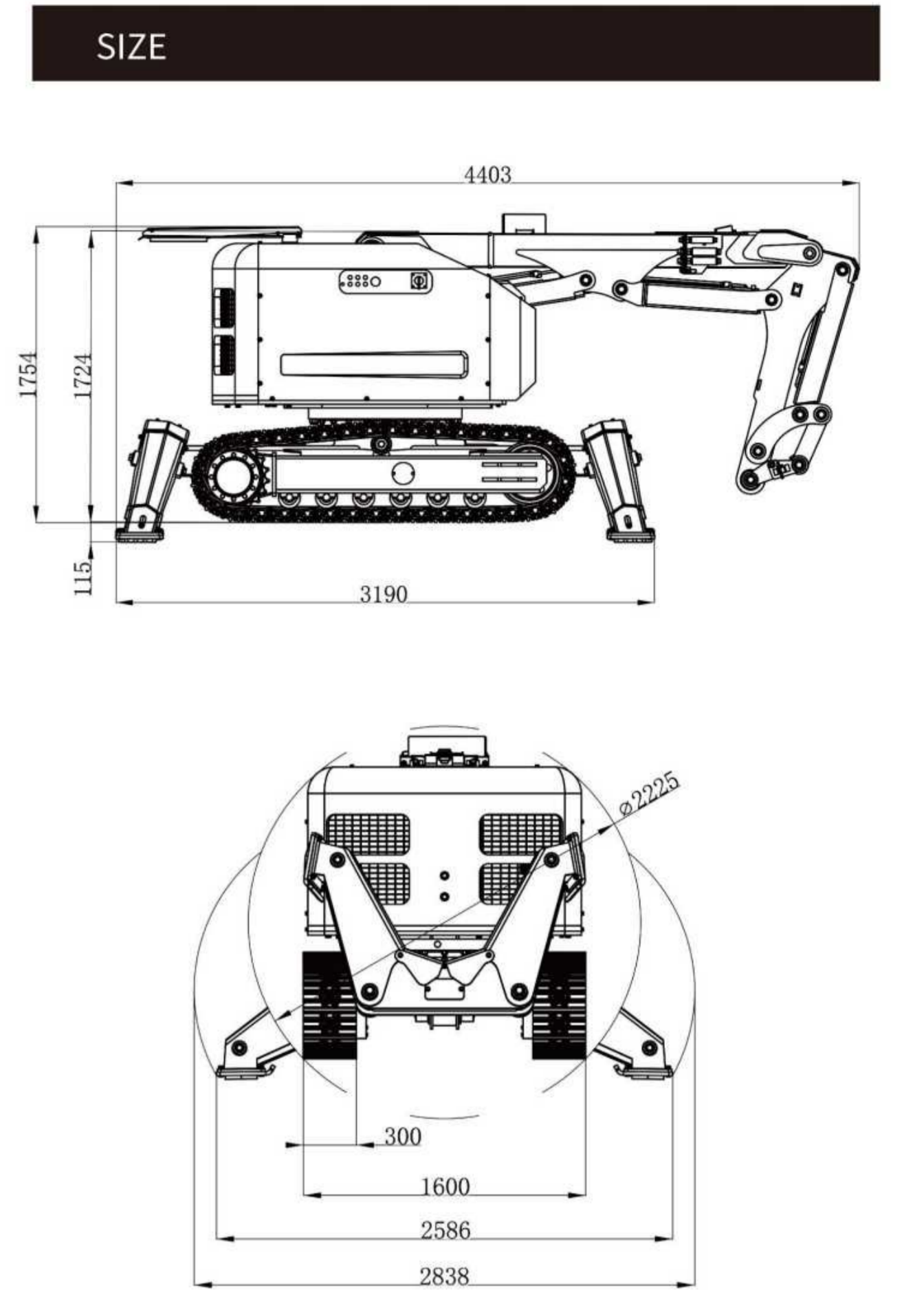
Widely used in:

- Nuclear industry
- Tunnel excavation
- Construction demolition
- Metal processing industry



TECHNICAL DATA	
Slewing speed	16 s/360°
Transport speed, max.	2.5 km/h
Incline angle, max.	30°
Hydraulic system capacity	185 L
Pump type	Variable load-sensing
System pressure	19/24 MPa
Pump flow	0-140 L/min
Electric motor type	YE3-225S-4-B35
Output	45 kW
Fuse	100A
Starting device	Direct start
Control type	Portable control box
Signal code	Digital
Transfer	Professional radio/Cable
Range, radio	100 m
Weight of machine excluding attachment	6850 kg
Recommended attachment weight	700 kg

OPTION	
Working attachments such as buckets and hydraulic shears	
Rubber track/steel track	
Mechanical quick coupling	
Forced air cooling	
Oil cylinder special protection	
Hydraulic hammer water jet function	
Backup oil circuit (extra hydraulic function)	
Track steel pads/other chisels	
High temperature hose/nuclear protection	
Hydraulic oil circuit automatic conduction quick coupling/hydraulic wrist	
Remote video system, sensors	
Fire cannon, booster and bulldozer	



HCR500C

HCR500C diesel driven robot is suitable for projects with inconvenient power supply, with flexible mobility, easy to be transported and enter complex spaces for operations. It is the first choice for underground mining, tunnel excavation, emergency rescue, and construction industries, and has good working ability in the field of metal processing.

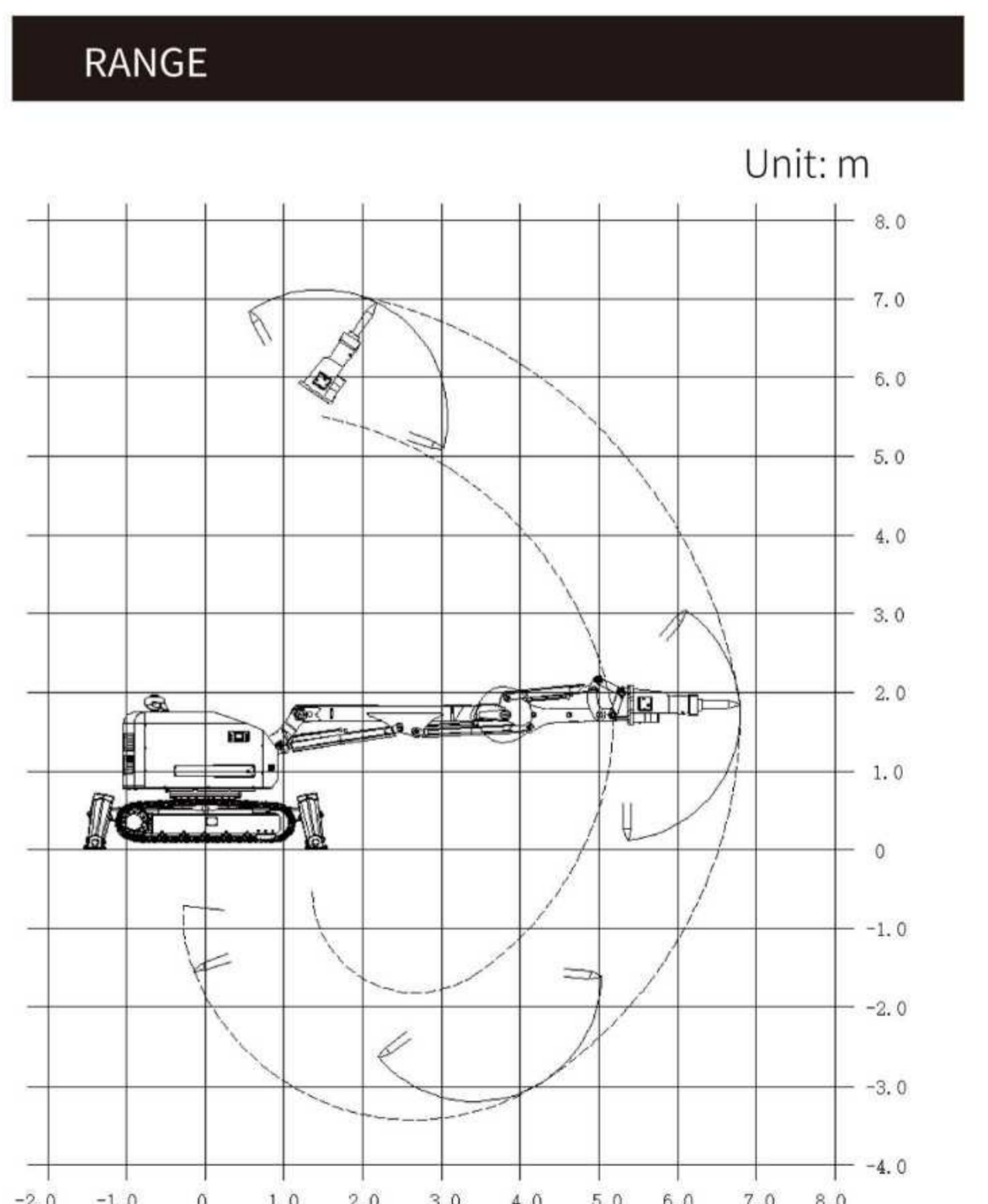
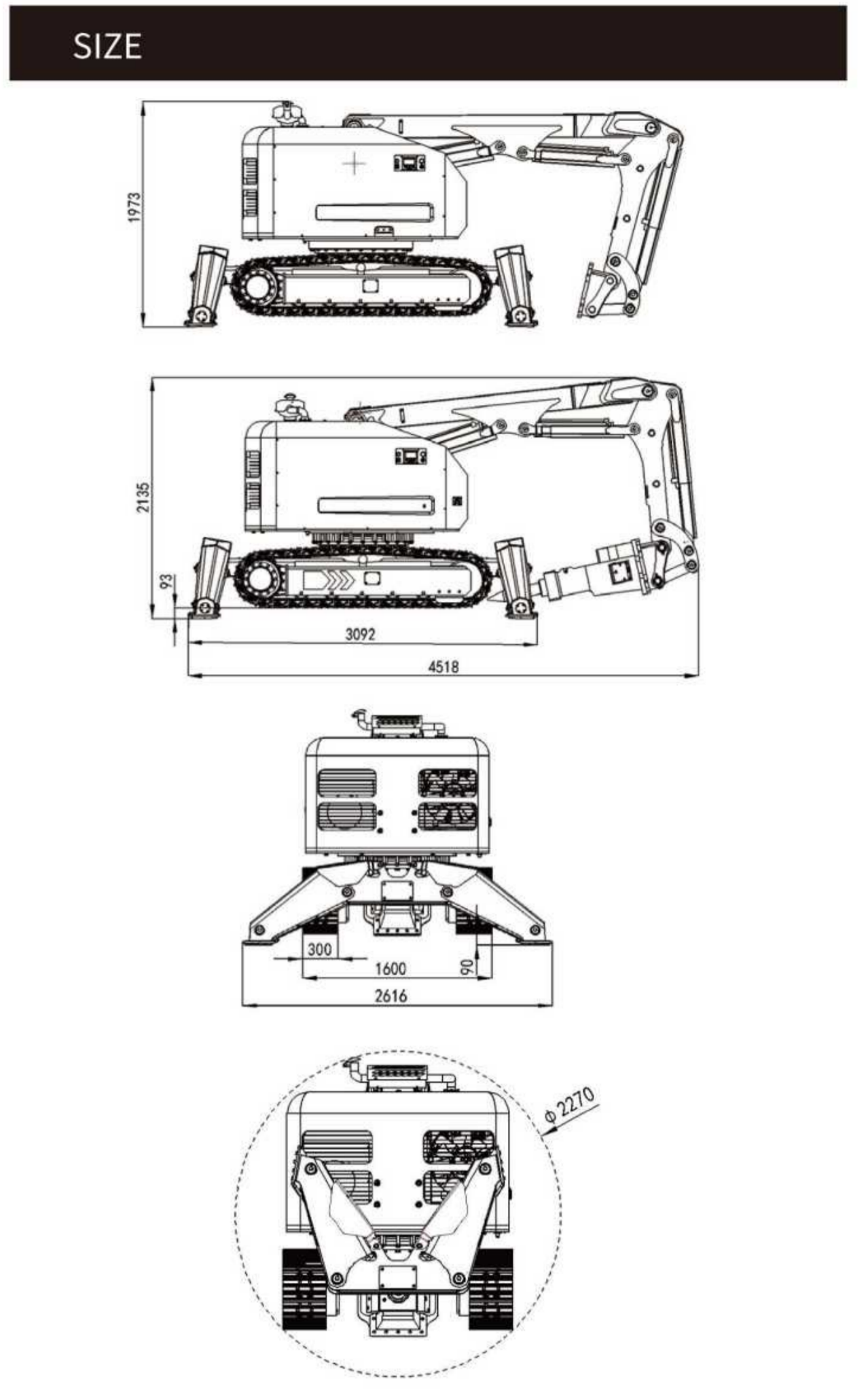
Widely used in:

- Nuclear accident rescue and nuclear waste treatment
- Mining scaling and break large pieces
- Demolition of subway and buildings
- Metal processing industry



TECHNICAL DATA	
Slewing speed	16 s/360°
Transport speed	1.9/3.6 km/h(Slow/Fast)
Incline angle, max.	30°
Hydraulic system capacity	180 L
Pump type	Variable load-sensing
System pressure	18/24 MPa
Pump flow	0-140 L/min
Engine	Inline 4-cylinder water-cooled four stroke diesel engine
Output	61 kW
Fuse	5A/10A/15A According to different routes
Starting device	Direct start
Control type	Portable control box
Signal code	Digital
Transfer	Professional radio/Cable
Range, radio	100 m
Weight of machine excluding attachment	6100 kg
Recommended attachment weight	750 kg

OPTION	
Working attachments such as buckets and hydraulic shears	
Rubber track/steel track	
Mechanical quick coupling	
Forced air cooling	
Oil cylinder special protection	
Hydraulic hammer water jet function	
Backup oil circuit (extra hydraulic function)	
Track steel pads/other chisels	
High temperature hose/nuclear protection	
Hydraulic oil circuit automatic conduction quick coupling/hydraulic wrist	
Remote video system, sensors	
Fire cannon, booster and bulldozer	



HCR900D

With the HCR900D, countless new doors are opened in terms of heavy demolition. Its size combined with its capacity make the HCR900D ideal for the heaviest and most demanding jobs. HCR900D weighs a hefty 12 tons and has an arm system with a full reach of 10 meters. Both the size and range of the HCR900D demonstrate just how impressive of a force this machine can be. The HCR900D has more hitting power than any other remote-controlled demolition robot on the market.

Widely used in:

- Nuclear industry
- Tunnel excavation
- Construction demolition
- Metal processing industry



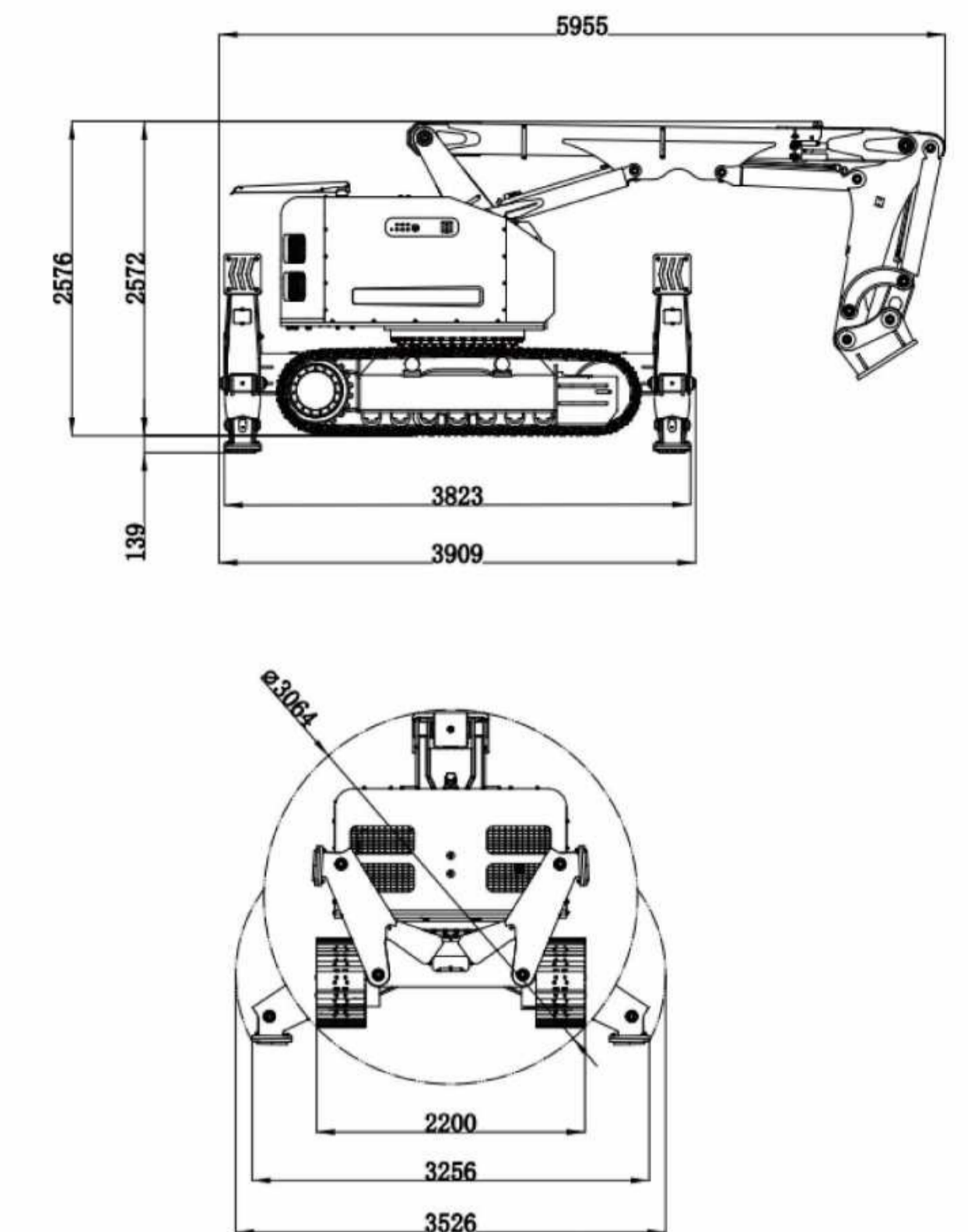
TECHNICAL DATA

Slewing speed	16 s/360°
Transport speed, max.	1.8/3.2 km/h
Incline angle, max.	30°
Hydraulic system capacity	230 L
Pump type	Variable load-sensing
System pressure	18.5/25 MPa
Pump flow	0-148 L/min
Electric motor type	ABB/YANMAR
Output	55/61 kW
Fuse	/
Starting device	Direct start
Control type	Portable control box
Signal code	Digital
Transfer	Professional radio/Cable
Range, radio	100 m
Weight of machine excluding attachment	12000 kg
Recommended attachment weight	1500 kg

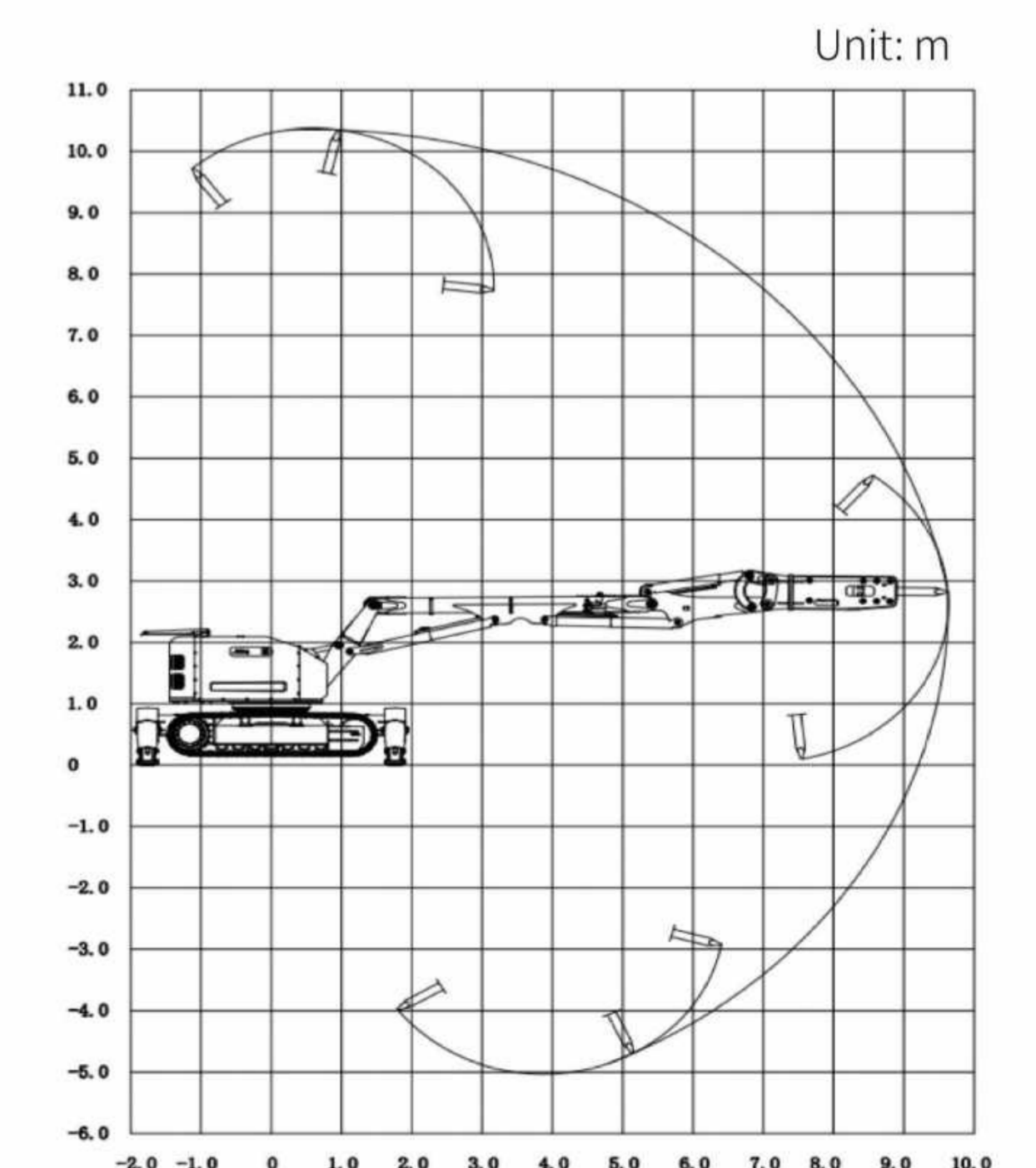
OPTION

Working attachments such as buckets and hydraulic shears
Rubber track/steel track
Mechanical quick coupling
Forced air cooling
Oil cylinder special protection
Hydraulic hammer water jet function
Backup oil circuit (extra hydraulic function)
Track steel pads/other chisels
High temperature hose/nuclear protection
Hydraulic oil circuit automatic conduction quick coupling/hydraulic wrist
Remote video system, sensors
Fire cannon, booster and bulldozer

SIZE



RANGE



HCR900R

Whether you need power or precision for a cleanout, the HCR900R delivers reliable performance every time. HCR900R remote-control demolition robot offers an incredible 10-meter reach and 360-degree arm rotation. This smart demolition robot excels in heavy and demanding demolition and maintenance work in the metal processing industry. Equipped with Hitech's unique heat and impact-protected process breaker, it is perfect for working with hot ladles, converters, runners, and furnaces. Enhanced maneuverability allows for precision work like never before.

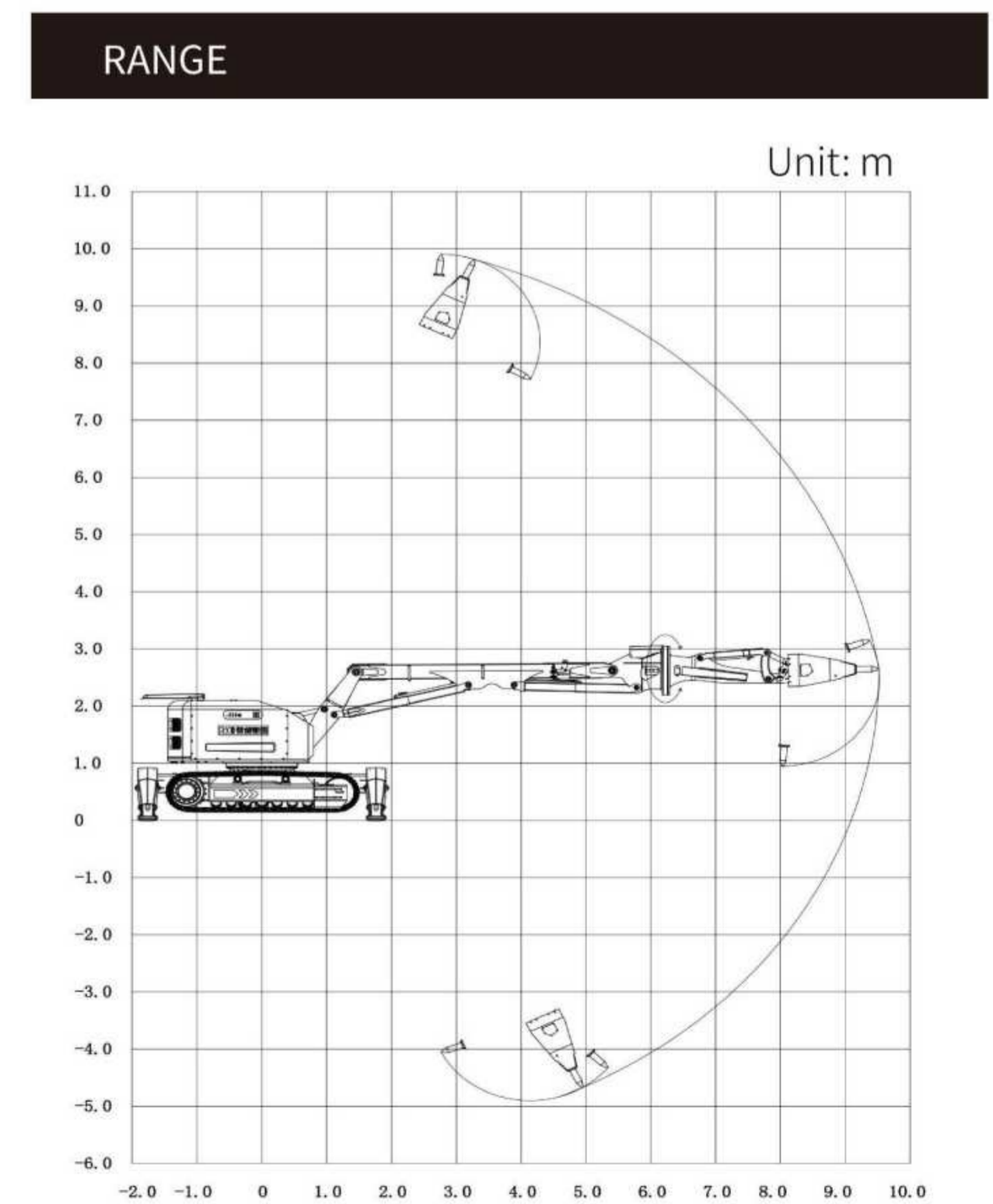
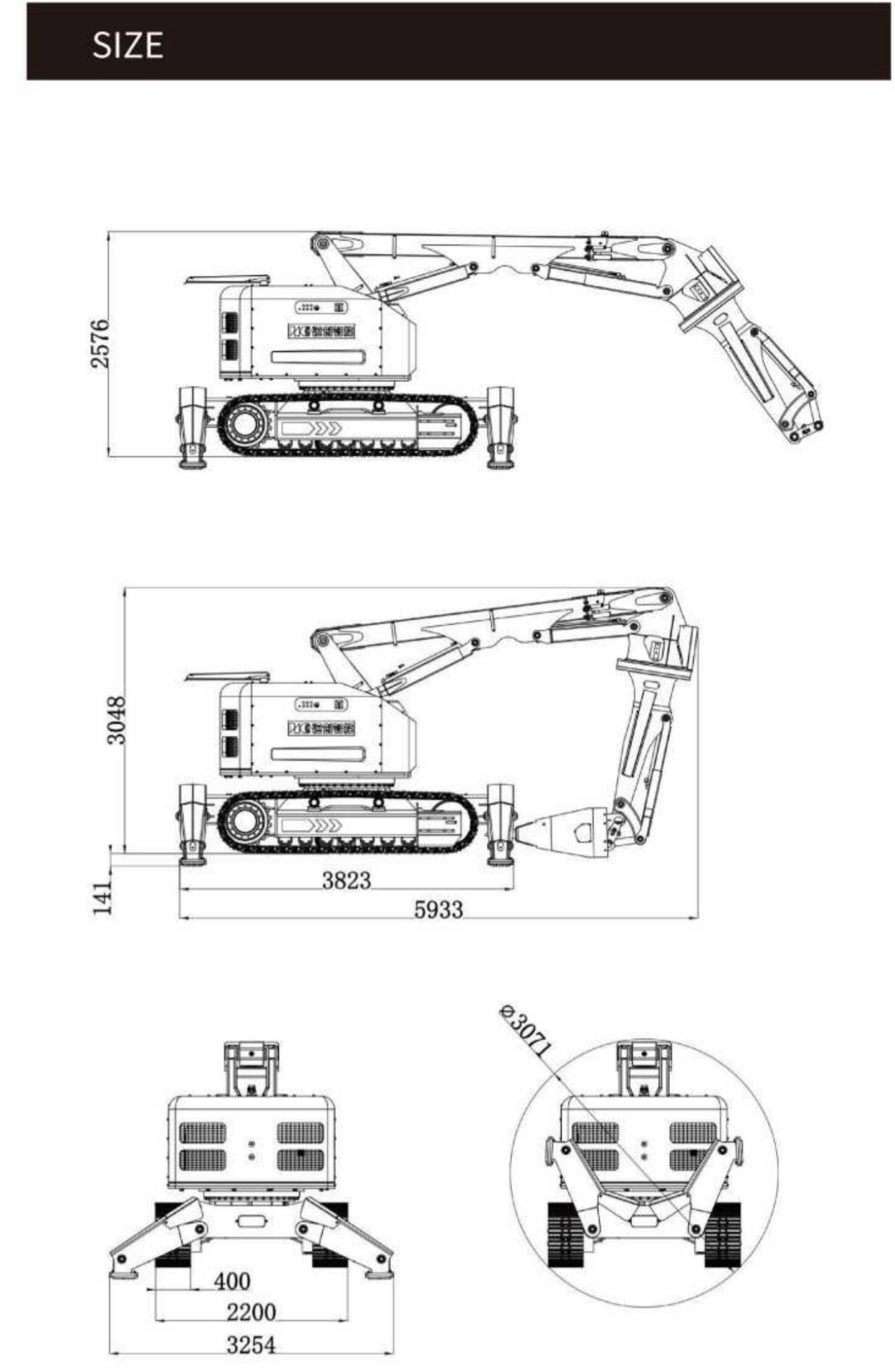
Widely used in:

- Nuclear industry
- Tunnel excavation
- Construction demolition
- Metal processing industry



TECHNICAL DATA	
Slewing speed	16 s/360°
Transport speed, max.	1.8/3.2 km/h
Incline angle, max.	30°
Hydraulic system capacity	230 L
Pump type	Variable load-sensing
System pressure	18.5/25 MPa
Pump flow	0-148 L/min
Electric motor type	ABB/YANMAR
Output	55/61 kW
Fuse	/
Starting device	Direct start
Control type	Portable control box
Signal code	Digital
Transfer	Professional radio/Cable
Range, radio	100 m
Weight of machine excluding attachment	12600 kg
Recommended attachment weight	600 kg

OPTION	
Working attachments such as buckets and hydraulic shears	
Rubber track/steel track	
Mechanical quick coupling	
Forced air cooling	
Oil cylinder special protection	
Hydraulic hammer water jet function	
Backup oil circuit (extra hydraulic function)	
Track steel pads/other chisels	
High temperature hose/nuclear protection	
Hydraulic oil circuit automatic conduction quick coupling/hydraulic wrist	
Remote video system, sensors	
Fire cannon, booster and bulldozer	



COMPARISON CHART



Model	70D	120D	120C	170D	200D
Weight (kg)	900	1650	1500	2570	3230
Width min. (mm)	600	780	780	780/1080	1080
Height min. (mm)	933	1220	1500	1560	1358
Motor output (kW)	7.5	18.5	18.4	22	30
Pump flow (L/min)	0-27	0-60	0-50	0-60	0-90
Recommended weight attachment (kg)	105	160	160	270	350
Vertical reach (including breaker) (mm)	3200	4400	4400	4800	5450
Horizontal reach (including breaker) (mm)	2800	3700	3685	4400	5100



Model	260D	300D	500D	500C	900D	900R
Weight (kg)	4280	4650	6850	6100	12000	12600
Width min. (mm)	1200	1200	1600	1600	2200	2200
Height min. (mm)	1571	1585	1724	2330	2576	2576
Motor output (kW)	30	37	45	61	55/61	55/61
Pump flow (L/min)	0-83	0-105	0-140	0-140	0-148	0-148
Recommended weight attachment (kg)	350	500	700	750	1500	600
Vertical reach (including breaker) (mm)	6241	6545	7252	7120	10373	9905
Horizontal reach (including breaker) (mm)	5899	6113	6797	6790	9627	9518

MULTIPLE ATTACHMENTS OPTIONS AVAILABLE

Equipped with additional tools to realize multi functionality of one machine

The demolition robot, with its strong adaptability and flexibility, can achieve multiple functions with one machine, easily carry and switch multiple attachments such as hydraulic hammers, hydraulic wrists, hydraulic shears, etc., meeting various complex operational needs and greatly improving work efficiency and scope.



HYDRAULIC BREAKERS

Equipped with the world-renowned Epiroc SB series hydraulic hammer. It is lightweight, high-frequency, and capable of air strikes, making it the most universal striking tool. After system design optimization, it is perfectly combined with the demolition robot, achieving high efficiency and excellence.



CONCRETE CRUSHERS

Using high-quality materials and lightweight design to achieve the highest crushing force with minimal weight, it is used for construction demolition, processing ultra hard reinforced concrete, and has the characteristics of large opening, low noise, less dust, low vibration, and high efficiency.



METAL SHEARS

Used for cutting operations of metal pipes, steel beams, plates, anchor cables, and cables in steel structures or waste factories.



COMBI SHEARS

Adopting a unique structural design, it integrates three functions of shearing, expansion, and crushing with a small volume and high crushing efficiency. It is used for various building facilities, nuclear, fire emergency, military and other occasions such as steel expansion and shearing, door and window breaking, and rapid opening of rescue passages.



SPLITTERS

A light, powerful and versatile splitter with built-in booster for maximum power in a very slim design. Rotable with adjustable splitting direction. Different mounting options. Automatic lubrication.



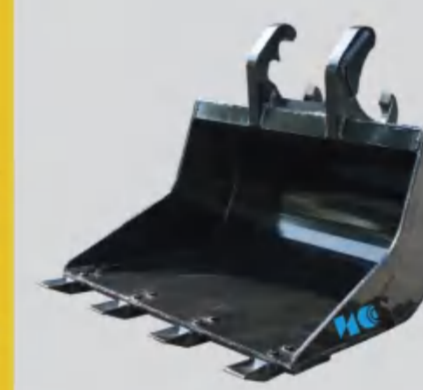
DRUM CUTTERS

Suitable for open-pit coal mines, tunnel excavation and contour correction, trench milling and excavation, asphalt concrete pavement milling, rock and frozen soil milling, tree root milling and other fields, with two structural forms: horizontal and vertical.



BUCKETS

Using high-strength materials for welding, different shapes of digging buckets can be customized according to work requirements, suitable for small space excavation, loading, and material classification, making the demolition robot a remote-controlled and efficient excavator.



CLAMSHELL BUCKETS

New lightweight design, used for cleaning bulk materials and debris, and can also be used for loading and sorting soil, sand, etc.



MULTI PURPOSE GRAPPLES

Using high-strength wear-resistant steel plate welding, it can be used for loading and sorting various materials, as well as dismantling wooden and brick materials. At the same time, it can also quickly install protective plates to form a closed grab bucket, which is used for grabbing and transporting bulk flexible fabrics and debris.



SORTING GRAPPLES

Used for grabbing, sorting, and transporting materials such as round barrels and rods, as well as for dismantling and waste disposal of some scattered soft materials.



CUT OFF SAW

Equipped with rotation and pitch functions. It can achieve large space and all-round flexible operation and can quickly replace various specifications of saw blades for precise cutting of metal, concrete, wood, and non-metallic materials, with high efficiency and safety.



SIDE ANGLING DEVICE

Provide additional angles for the hydraulic breaker of the demolition robot to adapt to the confined spaces.



AUTOMATIC HYDRAULIC QUICK COUPLING

The unique structural design allows for quick replacement of different attachments and synchronized automatic opening and closing of hydraulic and control circuits, without the need for manual disassembly and replacement, reducing oil pollution and saving time. It is particularly suitable for remote replacement of different functional attachments in special environments.



HYDRAULIC WRIST

Installed at the front end of the robot boom, it is a new type of two degree of freedom mechanism that can quickly replace different attachments such as hydraulic shears and buckets, and achieve 360° full rotation in both directions and 45° lateral swing function, increasing flexibility and improving work efficiency.



➤ HYDRAULIC BREAKERS

Equipped with the world-renowned Epiroc SB series hydraulic hammer. It is lightweight, high-frequency, and capable of air strikes, making it the most universal working tool. After system design optimization, it is perfectly combined with the demolition robot, achieving high efficiency and excellence.



	Hitting power /J	Blows /min	Weight /kg	Made for
HSB 102	159	750-2300	90	HCR70D、120D
HSB 152	254	850-1900	140	HCR120D、120C
HSB 202	406	850-1800	200	HCR170D、200D
HSB 302	610	600-1400	300	HCR200D、300D
HSB 452	855	550-1250	440	HCR300D、900R
HSB 552	1048	650-1150	520	HCR500D、500C
HSB 702	1472	600-1050	720	HCR500D、500C
HMB 1200	2450	340-680	1200	HCR900D

➤ CONCRETE CRUSHERS

Using high-quality materials and lightweight design to achieve the highest crushing force with minimal weight, it is used for construction demolition, processing ultra hard reinforced concrete, and has the characteristics of large opening, low noise, less dust, low vibration, and high efficiency.



	Jaw opening /mm	Rebars /mm	Crushing force kN/t	Weight /kg	Made for
HCC 260	250	φ16	220/22	82	HCR70D
HCC 340	343	φ30	360/37	160	HCR120D、120C
HCC 440	440	φ30	730/44	265	HCR170D
HCC 480	514	φ30	490/50	305	HCR200D
HCC 580	436	φ30	530/54	430	HCR300D
HCC 700	529	φ30	680/69	610	HCR500D

➤ METAL SHEARS

Used for cutting operations of metal pipes, steel beams, plates, anchor cables, and cables in steel structures or waste factories.



	Jaw opening /mm	Crushing force kN/t	Weight /kg	Made for
HMC 200	200	490/50	165	HCR120D、120C、170D
HMC 300	350	590/60	290	HCR200D、300D
HTC 120	120	660/67	305	HCR200D、300D
HCC 420S	145	740/75	300	HCR200D、300D
HCC 700S	268	1480/188	695	HCR500D、500C
HBMS100	175	524/66	380	HCR200D、300D
HBMS140	270	700/88	645	HCR500D、500C

➤ COMBI SHEARS

Adopting a unique structural design, it integrates three functions of shearing, expansion, and crushing with a small volume and high crushing efficiency. It is used for various building facilities, nuclear, fire emergency, military and other occasions such as steel expansion and shearing, door and window breaking, and rapid opening of rescue passages.



	Opening width /mm	Cutting force kN/t	Weight /kg	Made for
HCS8SV	267	225/23	70	HCR70D、120C、120D
HCS7	357	312/32	290	HCR120D、120C、170D

➤ SPLITTERS

A light, powerful and versatile splitter with built-in booster for maximum power in a very slim design. Rotable with adjustable splitting direction. Different mounting options. Automatic lubrication.



	Length/mm	Drill hole diameter	Splitting force theoretical kN/t	Weight /kg	Made for
HC20J	250	76	14760-17660/ 1500-1800	82	HCR70D

▶ DRUM CUTTERS

Suitable for open-pit coal mines, tunnel excavation and contour correction, trench milling and excavation, asphalt concrete pavement milling, rock and frozen soil milling, tree root milling and other fields, with two structural forms: horizontal and vertical.



	Size/mm			Recommend flow/L/min	Weight /kg	Made for
	H	W	D			
HBDC20X-D	375	300	270	24-32	85	HCR70D
HBDC20X	375	300	270	24-32	105	HCR120D、120C、170D
HBDC40	507	401	343	37-52	160	HCR200D、260D、300D
HBDC55	740	680	480	56-84	545	HCR500D、500C、900D、900R

▶ BUCKETS

Using high-strength materials for welding, different shapes of digging buckets can be customized according to work requirements, suitable for small space excavation, loading, and material classification, making the demolition robot a remote-controlled and efficient excavator.



	Volume /L	Width /mm	Weight /kg	Made for
40 L	40	430	29	HCR70D
60 L	60	520	61	HCR120D、120C
80 L	80	690	76	HCR170D
150 L	150	800	120	HCR200D
250 L	250	930	150	HCR300D
700 L	700	1050	650	HCR500D、500C

▶ CLAMSHELL BUCKETS

New lightweight design, used for cleaning bulk materials and debris, and can also be used for loading and sorting soil, sand, etc.



	Volume /L	Opening range /mm	Width /mm	Weight /kg	Made for
HC01H-20	10	429	207	61	HCR70D
HC02H-25	25	725	250	110	HCR120D、120C
HC03H-35	65	880	350	175	HCR170D
HC05H-40	115	1090	400	210	HCR200D
HC05HPX-40	115	1110	400	325	HCR300D
HC05HPX-60	170	1110	600	390	HCR500D、500C

▶ MULTI PURPOSE GRAPPLES

Using high-strength wear-resistant steel plate welding, it can be used for loading and sorting various materials, as well as dismantling wooden and brick materials. At the same time, it can also quickly install protective plates to form a closed grab bucket, which is used for grabbing and transporting bulk flexible fabrics and debris.



	Volume /L	Opening range /mm	Width /mm	Weight /kg	Made for
HA01H-20	10	429	207	61	HCR70D
HA02H-35	35	885	350	132	HCR120D、120C、170D
HA04H-40	70	1233	386	237	HCR200D
HA04HPX-40	70	1050	386	325	HCR300D
HA06HPX-45	145	1344	450	430	HCR500D、500C
HA09HPX-50	210	1550	500	640	HCR900D

▶ SORTING GRAPPLES

Used for grabbing, sorting, and transporting materials such as round barrels and rods, as well as for dismantling and waste disposal of some scattered soft materials.



	Jaw opening /mm	Weight /kg	Made for
HG 32	325	42	HCR70D
HG 50	400	140	HCR120D、120C、170D
HD02H-35	880	139	HCR120D、120C、170D
HD04H-40	1239	232	HCR200D
HD04HPX-40	1051	335	HCR300D
HD06HPX-45	1350	435	HCR500D、500C
HD09HPX-50	1550	645	HCR900D

▶ CUT OFF SAW

Equipped with rotation and pitch functions. It can achieve large space and all-round flexible operation and can quickly replace various specifications of saw blades for precise cutting of metal, concrete, wood, and non-metallic materials, with high efficiency and safety.



	Saw disk diameter /mm	Cutting depth /mm	Weight /kg	Made for
HBCS 8	400	150	70	HCR70D
HBCS 20	600	220	145	HCR120D、120C
HBCS 30	800	270	250	HCR170D
HBCS 40	800	270	370	HCR200D
HBCS 45	800	270	375	HCR300D
HBCS 65	800	270	390	HCR500D、500C
HBCS 90	1000	370	515	HCR900D

▶ SIDE ANGLING DEVICE

Provide additional angles for the hydraulic brake of the demolition robot to adapt to the confined spaces.



	Angle /°	Weight /kg	Made for
HBHB 105 SAD	±60	135	HCR120D、120C
HBHB 155 SAD	±70	215	HCR170
HBHB 205 SAD	±60	330	HCR200D、300D
HBHB 305 SAD	±53	555	HCR500D、500C

▶ AUTOMATIC HYDRAULIC QUICK HITCH

The unique structural design allows for quick replacement of different attachments and synchronized automatic opening and closing of hydraulic and control circuits, without the need for manual disassembly and replacement, reducing oil pollution and saving time. It is particularly suitable for remote replacement of different functional attachments in special environments such as strong magnetic fields, nuclear radiation, and military emergencies.



	Span/mm	Wheelbase /mm	Shaft diameter /mm	Weight /kg	Made for
HOQ 40	197	300	40	75	HCR120C、170D、200D、300D
HOQ 60-5	270	300	40	120	HCR120C、170D、200D、300D

▶ HYDRAULIC WRIST

Installed at the front end of the robot boom, it is a new type of two degree of freedom mechanism that can quickly replace different attachments such as hydraulic shears and buckets, and achieve 360° full rotation in both directions and 45° lateral swing function, increasing flexibility and improving work efficiency.



	Yaw angle /°	Rotation angle /°	Wheelbase/mm	Shaft diameter/mm	Weight/kg	Made for
HCSW 30	±40	360	230	30	105	HCR200
HCSW 40	±40	360	300	40	165	HCR500D、HCR500C





Throughout the process, without any worries

— No worries in the whole process-our commitment to all customers. It's also the confidence and pride of "Made in China" from Anhui Hitech

Anhui Hitech Intelligent Equipment Co.,Ltd.

Factory 7, Civil-Military Integration Demonstration Zone, 398 Wenhui Road,
Nanqiao District, Chuzhou City, Anhui Province, China
Tel: Manager Xu (+86)139-65627068

Nanjing R&D Center

Building B, FuYing Building, 99 Tuanjie Road, Jiangbei
New District, Nanjing, China
Tel: Manager Yu (+86)151-56688943

After-sale service

Company phone number: (+86)0550-2185005
Tel: Manager Yin (+86)188-55095867

Carrying the spirit of 'Hitech'
from China to the world



- Embracing Intelligence
- Expanding Worldwide
- Specializing in Precision Demolition
- Co-creating Industry Standards



 **Hitech Intelligent**
www.hcrot.com

The color of the finished products in the catalog may differ slightly from the actual products due to lighting issues during photography. Please refer to the actual products for accuracy.