

HCR260D

HCR260D has outstanding advantages in the fields of concrete cutting, rotary kiln brick removal, and metal processing. HCR200D has strong crushing ability and is equipped with hydraulic crushers, which can crush thicker beams, columns, and floors. This model of high-performance demolition robot is the first choice for construction and metallurgical furnace maintenance.

Widely used in:

- Nuclear industry
- Tunnel excavation
- Metal processing industry
- Construction demolition
- Various rotary kilns (cement, limestone, pellets)



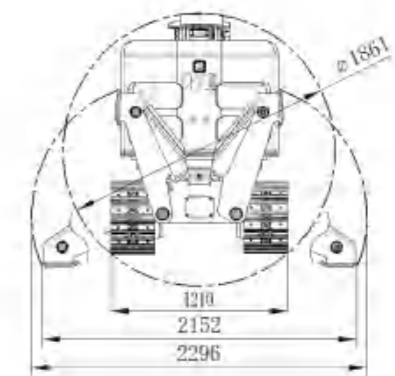
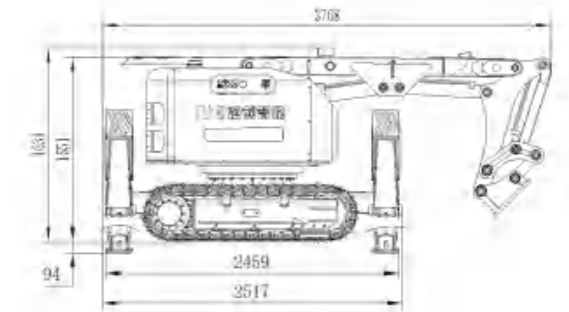
TECHNICAL DATA

Slewing speed	16 s/360°
Transport speed, max.	2.5 km/h
Incline angle, max.	30°
Hydraulic system capacity	90 L
Pump type	Variable load-sensing
System pressure	19 MPa
Pump flow	0-90 L/min
Electric motor type	YE3-200L-4B35
Output	30 kW
Fuse	/
Starting device	Direct start
Control type	Portable control box
Signal code	Digital
Transfer	Professional radio/Cable
Range, radio	100 m
Weight of machine excluding attachment	2900 kg
Recommended attachment weight	350 kg

OPTION

Working attachments such as buckets and hydraulic shears
Rubber track/steel track
Mechanical quick coupling
Forced air cooling
Oil cylinder special protection
Hydraulic hammer water jet function
Backup oil circuit (extra hydraulic function)
Track steel pads/other chisels
High temperature hose/nuclear protection
Hydraulic oil circuit automatic conduction quick coupling/hydraulic wrist
Remote video system, sensors
Fire cannon, booster and bulldozer

SIZE



RANGE

